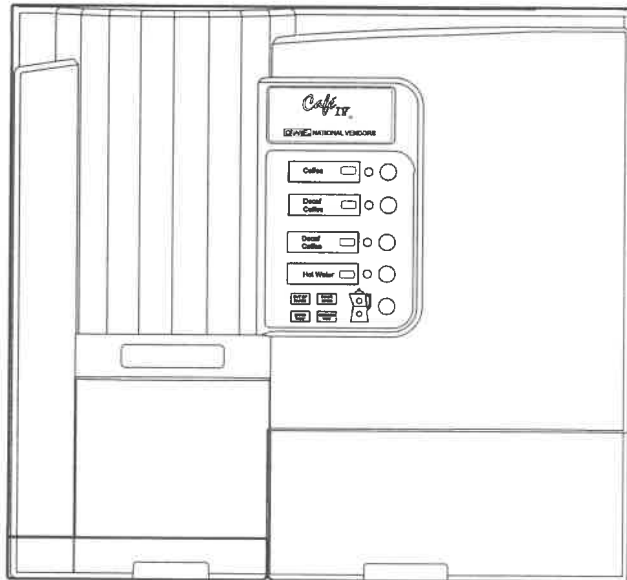


680p0064

Café III™



680p0065

Café IV™

Parts Manual

www.nationalvendors.com

List of Figures

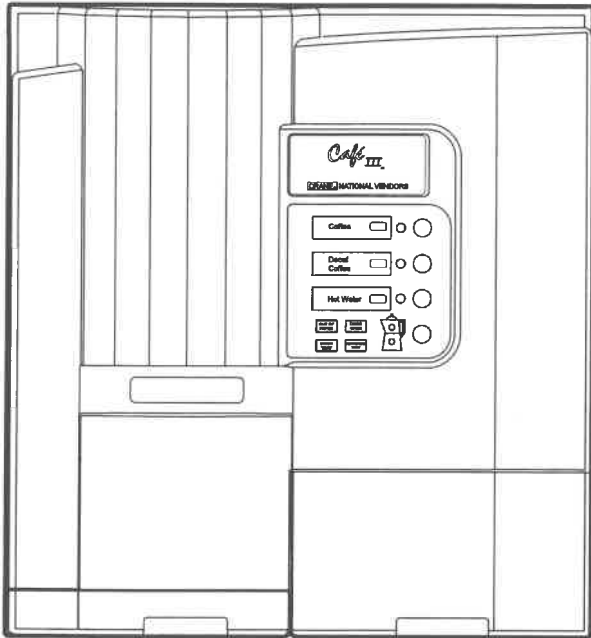
Figure	Title	Page
1.	Overall Machine	2
2.	Door Assembly	4
3.	Upper Cabinet Assembly - Part 1	6
4.	Upper Cabinet Assembly - Part 2	8
5.	Upper Cabinet Assembly - Part 3	10
6.	Upper Cabinet Assembly - Part 4	12
7.	Upper Cabinet Assembly - Part 5	14
8.	Brewer Pump Assembly	16
9.	Brewer Drive Assembly	18
10.	Brewer Assembly	20
11.	Carrier and Cam Follower Assembly	22
12.	Power Panel Assembly	24
13.	Paper Cutter Assembly	26
14.	Water Tank Assembly Detail	28
15.	Check Valve Assembly	30
16.	Product Shelf Assemblies	32
17.	Canisters and Chutes	34
19.	Mixing Bowl, Vent & Whipper Assemblies - Fresh Brew - Café III	36
20.	Mixing Bowl, Vent & Whipper Assemblies - Fresh Brew Café IV	38
21.	Mixing Bowl, Vent & Whipper Assemblies - Freeze Dry Café III and IV	40
22.	Vents for Alternate Configurations	42
23.	Mixing Bowl With Whipper	44
24.	Base Door Assembly	46
25.	Base Cabinet Assembly	48
26.	Upper Cabinet Interface Components	50
27.	Coin Module	52
28.	Upper Cabinet and Coin Module Cabinet Interconnection	54

List of Tables

Table	Title	Page
1.	Overall Machine	3
2.	Door Assembly	5
3.	Upper Cabinet Assembly - Part 1	7
4.	Upper Cabinet Assembly - Part 2	9
5.	Upper Cabinet Assembly - Part 3	11
6.	Upper Cabinet Assembly - Part 4	13
7.	Upper Cabinet Assembly - Part 5	15
8.	Brewer Pump Assembly	17
9.	Brewer Drive Assembly.....	19
10.	Brewer Assembly.....	21
11.	Carrier and Cam Follower Assembly	23
12.	Power Panel Assembly	25
13.	Paper Cutter Assembly	27
14.	Water Tank Assembly Detail.....	29
15.	Check Valve Assembly.....	31
16.	Product Shelf Assemblies	33
17.	Canisters and Chutes.....	35
18.	Canister, Chute, and Canister Spout Stop Usage.....	35
19.	Mixing Bowl, Vent & Whipper Assemblies - Fresh Brew - Café III.....	37
20.	Mixing Bowl, Vent & Whipper Assemblies - Fresh Brew Café IV	39
21.	Mixing Bowl, Vent & Whipper Assemblies - Freeze Dry Café III and IV	41
22.	Vents for Alternate Configurations.....	43
23.	Mixing Bowl With Whipper.....	45
24.	Base Door Assembly	47
25.	Base Cabinet Assembly	49
26.	Upper Cabinet Interface Components.....	51
27.	Coin Module	53
28.	Upper Cabinet and Coin Module Cabinet Interconnection	55
29.	Logo and Label Assembly	56
30.	Bag Assembly - USA.....	56
31.	Bag Assembly - Canada/French	56
32.	Upper CABinet Assembly - Part 8 - Wire Harnesses.....	57
33.	Upper Cabinet Assembly - Part 9 - Tubing	57

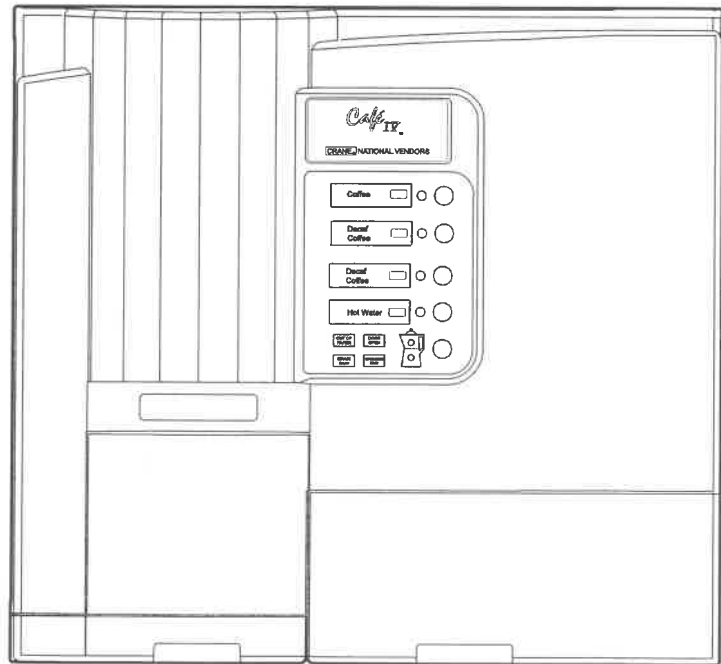
NOTES . . .

Lined area for notes, consisting of approximately 25 horizontal lines.



680p0064

Café III™



680p0064

Café IV™

Café III and Café IV

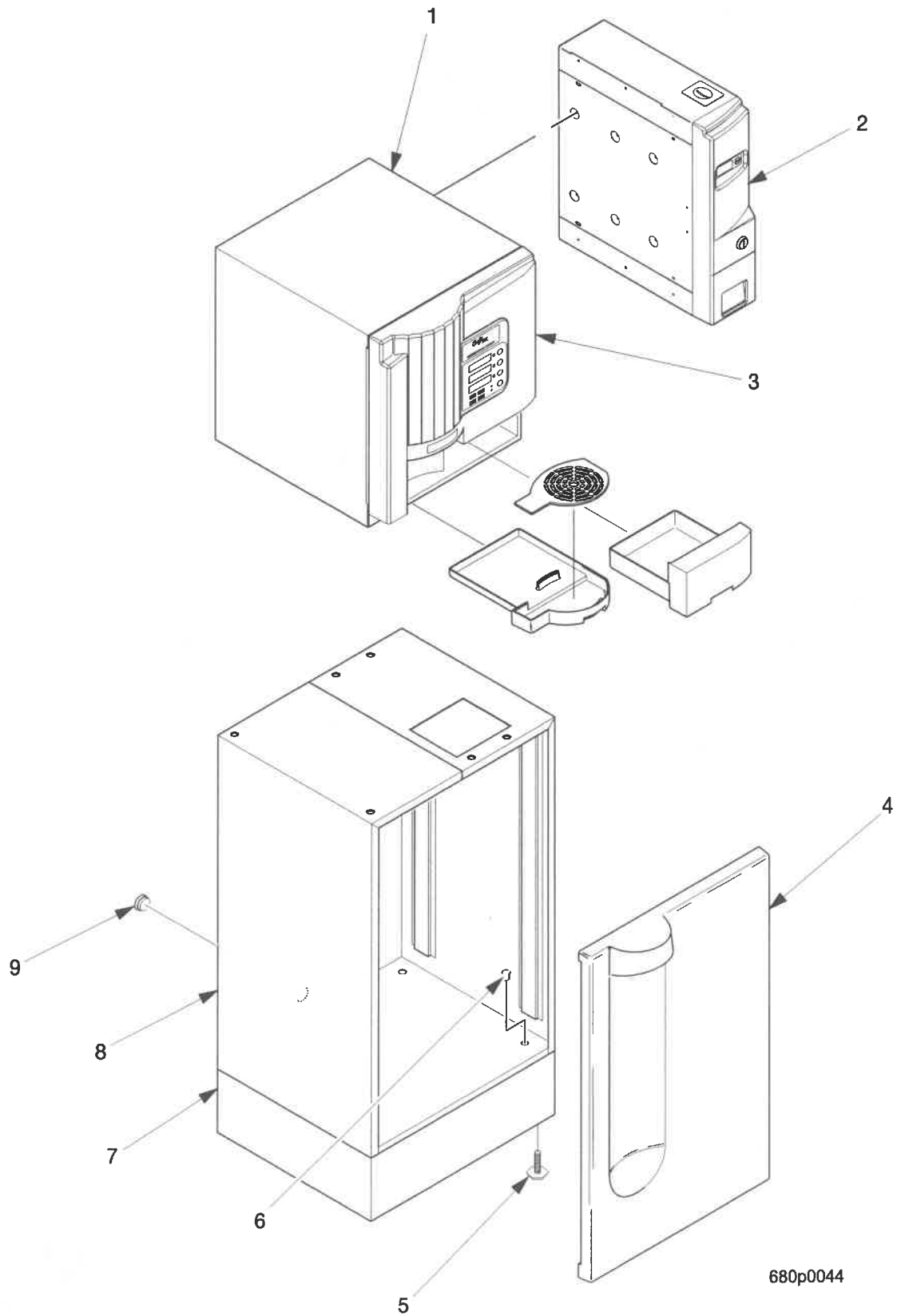
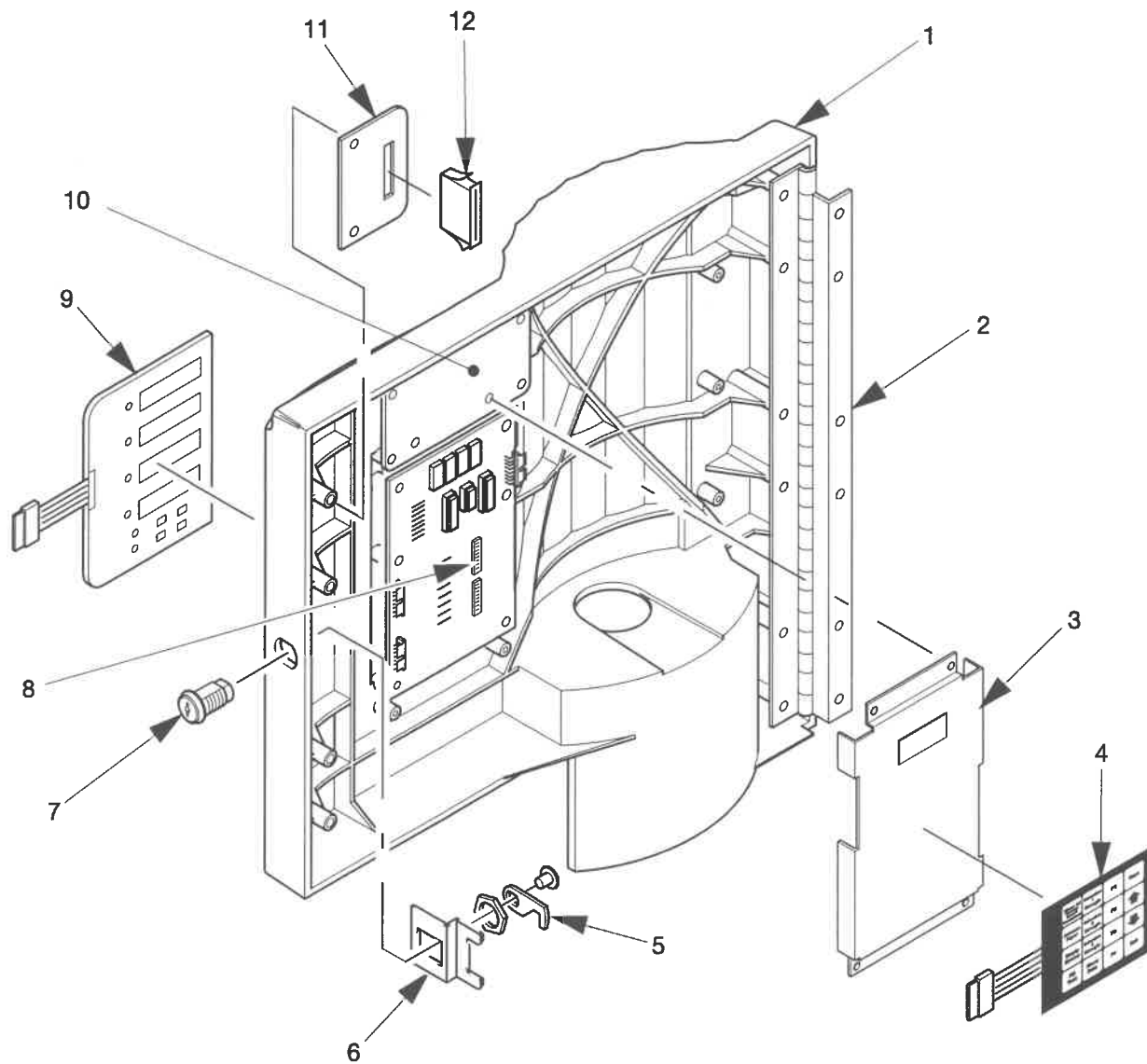


Figure 1. Overall Machine

TABLE 1. OVERALL MACHINE

INDEX	PART NUMBER	DESCRIPTION	QTY
1	-	UPPER CABINET (FIGURES 3, 4, 21, 19, 20, 5, 6, 7)	-
2	-	UPPER DOOR (FIGURE 2)	-
3	-	COIN MODULE (FIGURE 27)	OPT
4	-	BASE DOOR (FIGURE 24)	-
5	6401809	LEVELER - BASE CABINET	4
6	6801041	HOLE PLUG - .25DIA	4
7	6821068	RIVET ASSEMBLY - SKIRT- BASE CABINET	1
8	6821072	BASE CABINET - COOL GREY	1
	6821073	BASE CABINET - BLACK	
	6821074	BASE CABINET - SILVER METALLIC	
9	6481851	HOLE PLUG - .594DIA	1



680p0027

Figure 2. Door Assembly

TABLE 2. DOOR ASSEMBLY

INDEX	PART NUMBER	DESCRIPTION	QTY
1	6802013	DOOR - CAFÉ III - COOL GRAY	1
	6802014	DOOR - CAFÉ III - BLACK	
	6802015	DOOR - CAFÉ III - SILVER METALLIC	
	6822005	DOOR - CAFÉ IV - COOL GRAY	
	6822006	DOOR - CAFÉ IV - BLACK	
	6822007	DOOR - CAFÉ IV - SILVER METALLIC	
2	2802027	HINGE - COOL GRAY	1
	2802028	HINGE - BLACK	
	2802029	HINGE - SILVER METALLIC	
3	6802022	COVER - SERVICE DISPLAY PCB	1
4	6802045	SERVICE KEYPAD ASSEMBLY	1
5	6401053	CAM - LOCK - CHICAGO #6 3652	1
6	6801071	STRIKE - DOOR	1
7	6801052	LOCK - DOOR - #1801 - KEY CODE NV 407	1
-	2221920	KEY - CHICAGO LOCK #1801 NV 407 (NOT SHOWN)	1
8	6806004	PCB ASSEMBLY - SERVICE DISPLAY	1
9	6802004	MEMBRANE SELECTION ASSEMBLY - CAFÉ III - ENGLISH	1
	6802011	MEMBRANE SELECTION ASSEMBLY - CAFÉ III - CANADA/ FRENCH	
	6822002	MEMBRANE SELECTION ASSEMBLY - CAFÉ IV - ENGLISH	
	6822004	MEMBRANE SELECTION ASSEMBLY - CAFÉ IV - CANADA/ FRENCH	
10	6802023	PLATE - SERVICE PCB INS	1
11	6801028	MOUNTING - MAGNET	1
12	6801051	MAGNETIC CATCH - SNAP IN	1

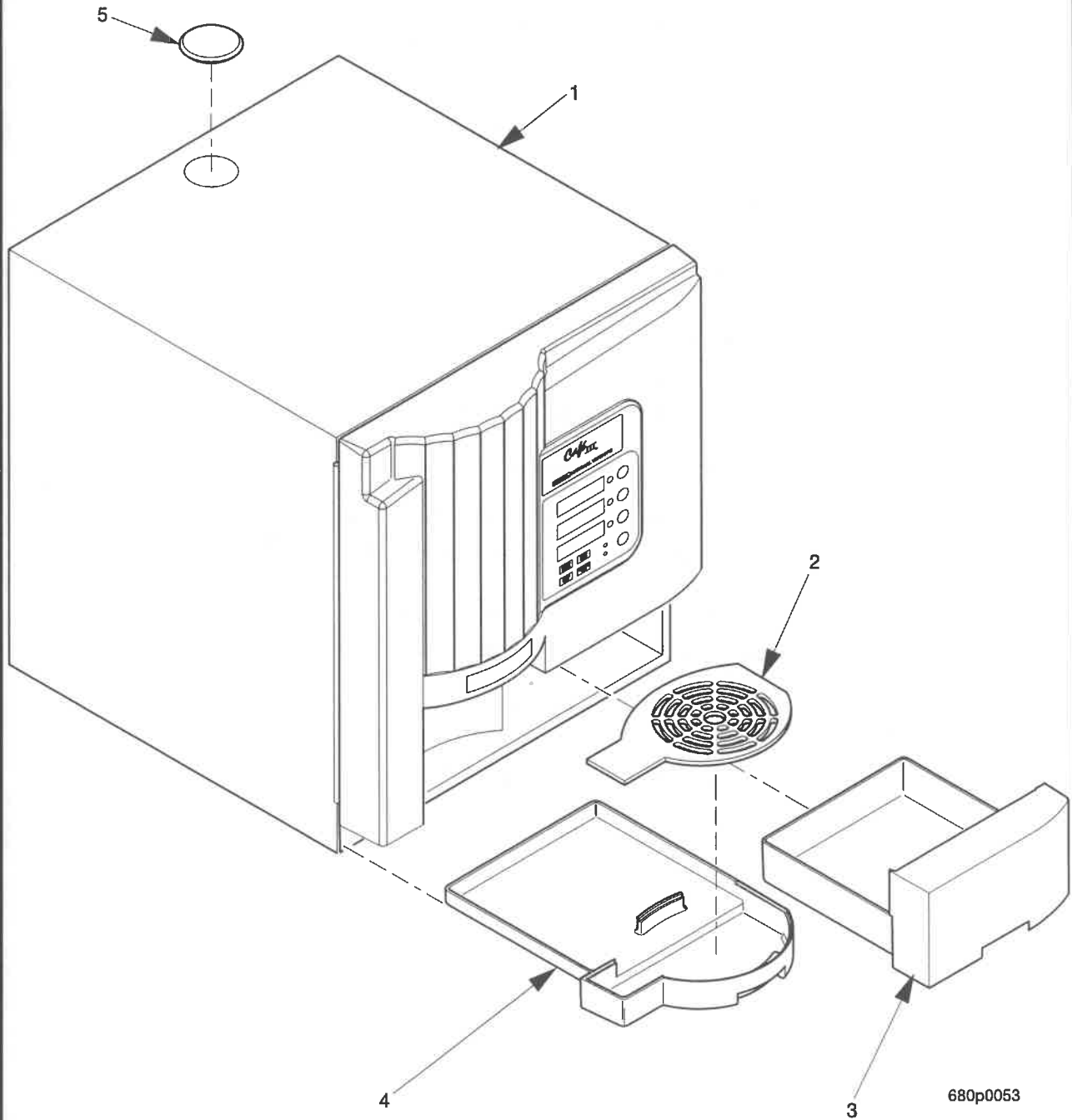


Figure 3. Upper Cabinet Assembly - Part 1

TABLE 3. UPPER CABINET ASSEMBLY - PART 1

INDEX	PART NUMBER	DESCRIPTION	QTY
1	6801036	CABINET ASSEMBLY - COOL GRAY (CAFÉ III)	1
	6801037	CABINET ASSEMBLY - BLACK (CAFÉ III)	
	6801038	CABINET ASSEMBLY - SILVER METALLIC (CAFÉ III)	
	6821012	CABINET ASSEMBLY - COOL GRAY (CAFÉ IV)	
	6821013	CABINET ASSEMBLY - BLACK (CAFÉ IV)	
	6821014	CABINET ASSEMBLY - SILVER METALLIC (CAFÉ IV)	
2	6802003	GRATE - DRAIN TRAY	1
3	6802042	GROUND TRAY ASSEMBLY - CAFÉ III - COOL GRAY	1
	6802043	GROUND TRAY ASSEMBLY - CAFÉ III - BLACK	
	6802044	GROUND TRAY ASSEMBLY - CAFÉ III - SILVER METALLIC	
	6822019	GROUND TRAY ASSEMBLY - CAFÉ IV - COOL GRAY	
	6822020	GROUND TRAY ASSEMBLY - CAFÉ IV - BLACK	
	6822021	GROUND TRAY ASSEMBLY - CAFÉ IV - SILVER METALLIC	
4	6802019	DRAIN TRAY - CAFÉ III - COOL GRAY (CAFÉ III/IV)	1
	6802020	DRAIN TRAY - CAFÉ III - BLACK (CAFÉ III/IV)	
	6802021	DRAIN TRAY - CAFÉ III - SILVER METALLIC (CAFÉ III/IV)	
5	6801033	PLUG - HOLE - 2 IN. DIA	1

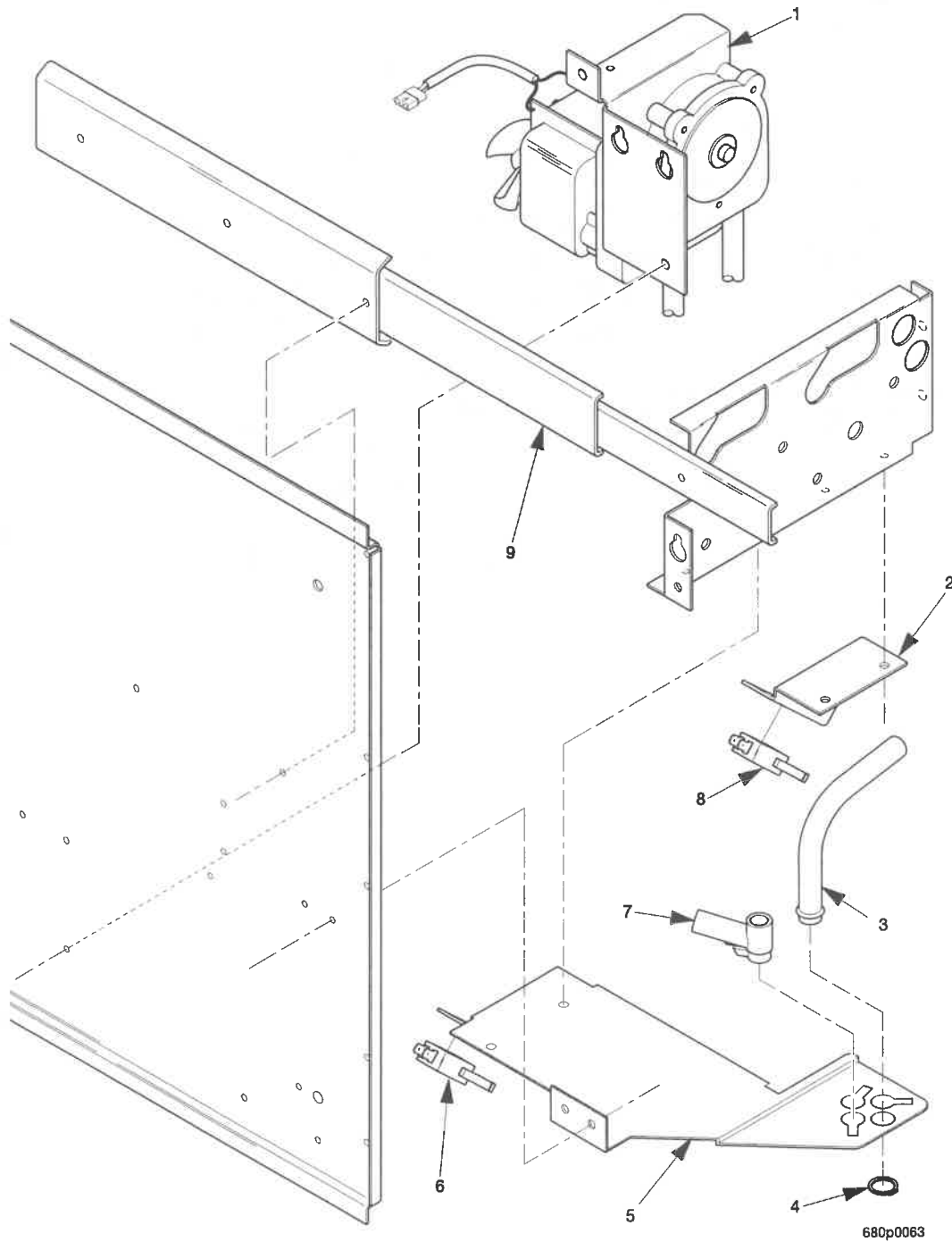
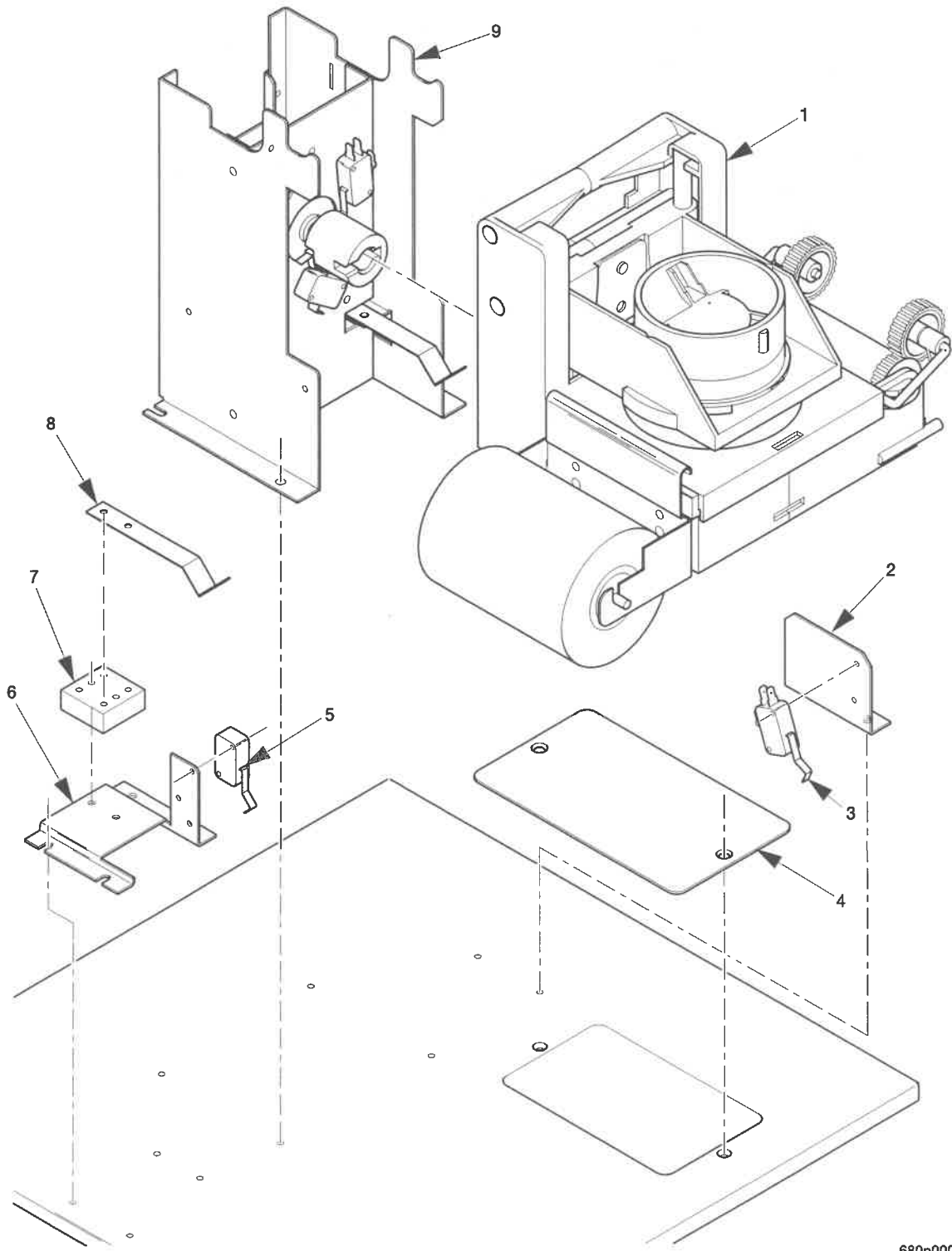


Figure 4. Upper Cabinet Assembly - Part 2

TABLE 4. UPPER CABINET ASSEMBLY - PART 2

INDEX	PART NUMBER	DESCRIPTION	QTY
1	6804015	PUMP ASSEMBLY - BREWER - 115V (FIGURE 8)	1
2	6821009	BRACKET - PAPER SWITCH - CAFÉ IV FB	1
3	6407029	NOZZLE - HOT WATER CAFÉ IV FB/FD/CHOC	1
		NOZZLE - HOT WATER CAFÉ IV FD/FD/CHOC	
4	6407030	RETAINING RING - SELF LOCKING CAFÉ IV FB/FD/CHOC	1
		RETAINING RING - SELF LOCKING CAFÉ IV FD/FD/CHOC	
5	6801021	BRACKET - NOZZLE	1
6	5220108	SWITCH (FILTER PAPER SENSING) - CAFÉ III - FB	1
7	6807012	SPOUT - DISPENSING - CAFÉ III FB/FB	2
		SPOUT - DISPENSING - CAFÉ III FB/CHOC	3
		SPOUT - DISPENSING - CAFÉ III FD/CHOC	3
		SPOUT - DISPENSING - CAFÉ IV FB/FB/CHOC	3
8	5220108	SWITCH (FILTER PAPER SENSING) CAFÉ IV FB	1
9	6801053	SLIDE - CANISTER SHELF	1

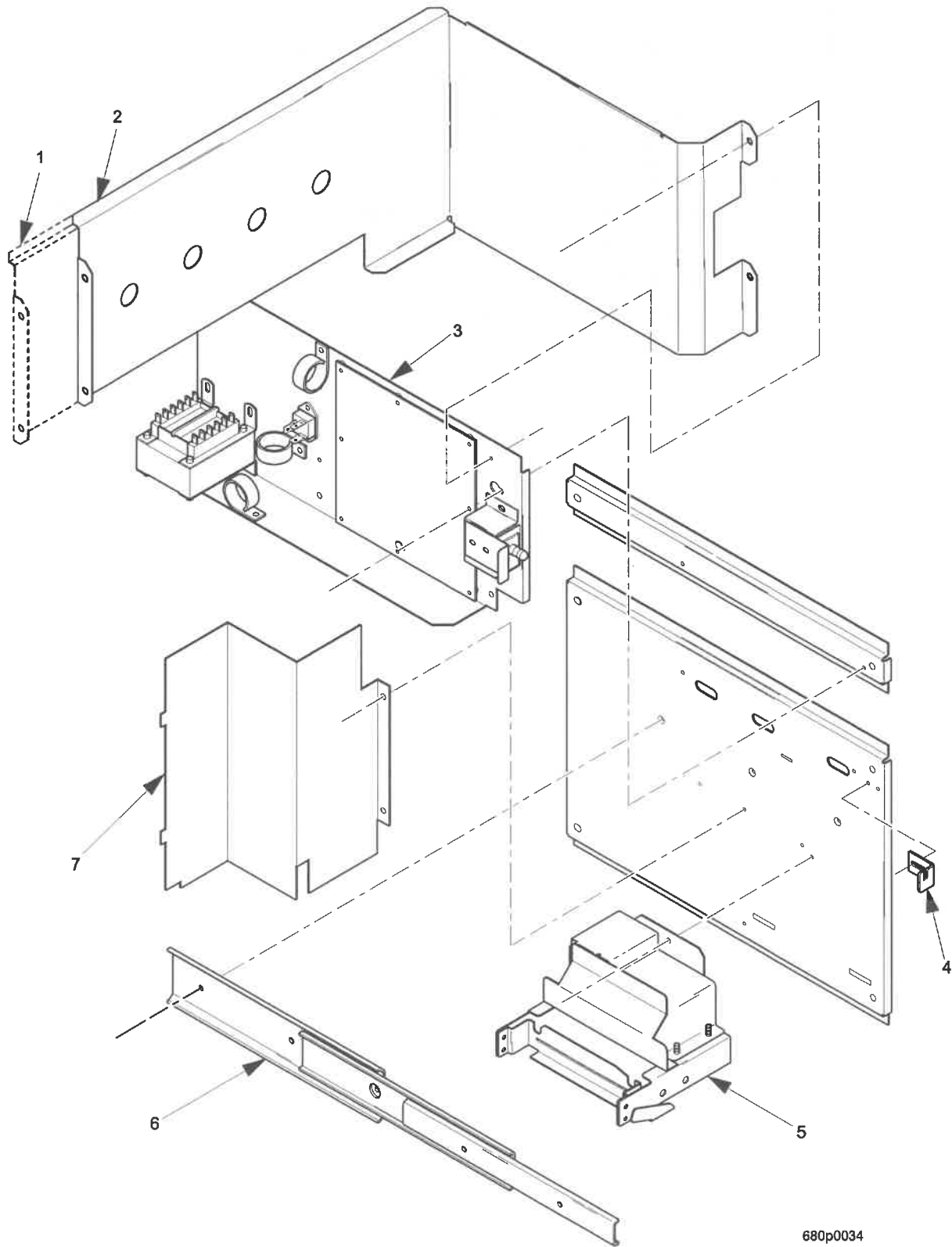


680p0004

Figure 5. Upper Cabinet Assembly - Part 3

TABLE 5. UPPER CABINET ASSEMBLY - PART 3

INDEX	PART NUMBER	DESCRIPTION	QTY
1	6804051	BREWER ASSEMBLY - CAFÉ III/IV (FIGURE 10)	1
2	6801027	MOUNTING - SWITCH - GROUNDS TRAY	1
3	5220108	SWITCH (GROUNDS TRAY/WASTE PAIL)	1
4	6801029	PLATE - COVER - GROUNDS	1
5	5220108	SWITCH (DRAIN TRAY)	1
6	6801026	MOUNTING - SWITCH/SPRING CLIP	1
7	6801025	INSULATOR - LEVEL PROBE - DRAIN TRAY	1
8	6801042	LOCKING SPRING	1
9	6804016	BREWER DRIVE ASSEMBLY (FIGURE 9)	1

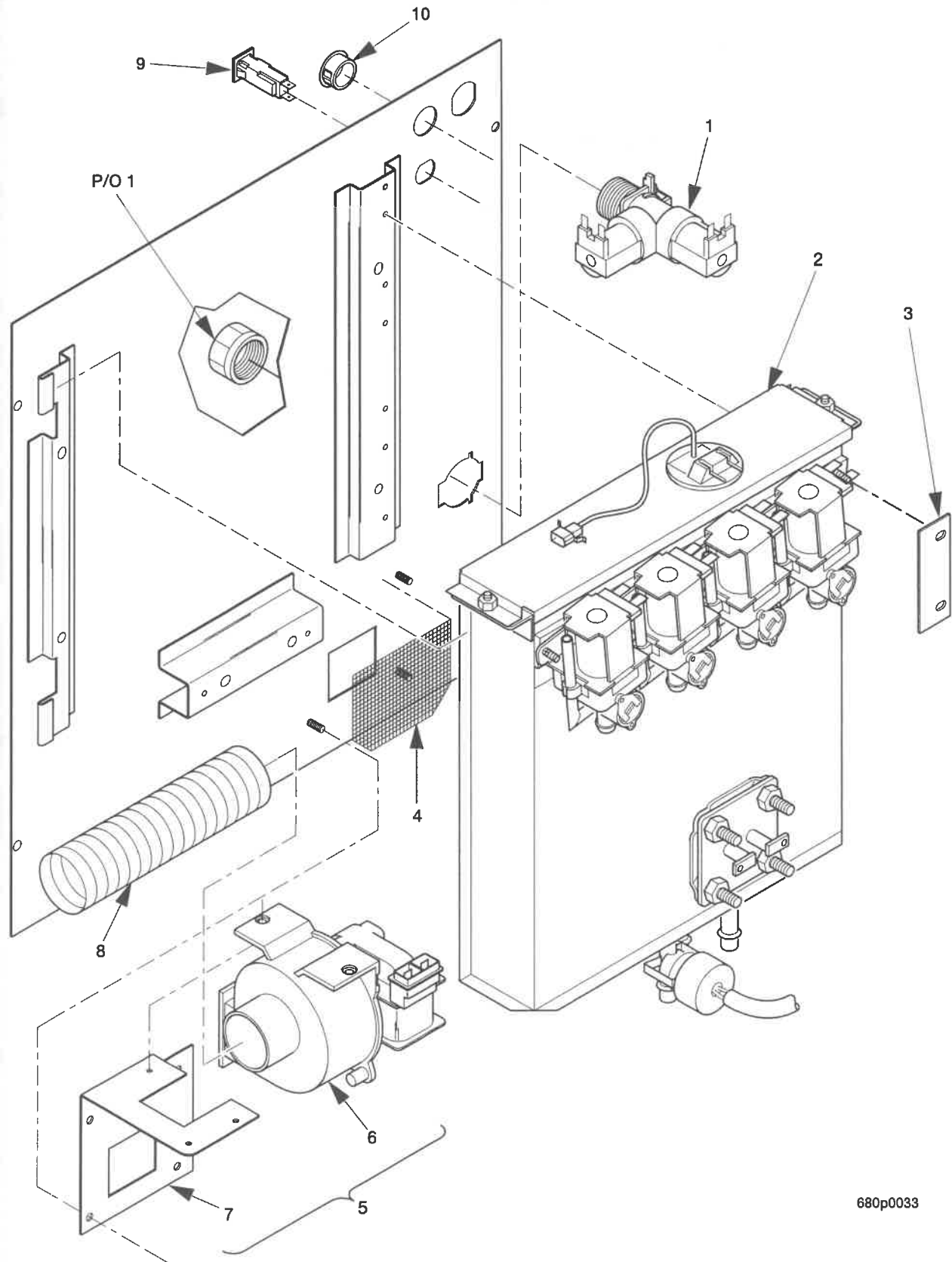


680p0034

Figure 6. Upper Cabinet Assembly - Part 4

TABLE 6. UPPER CABINET ASSEMBLY - PART 4

INDEX	PART NUMBER	DESCRIPTION	QTY
1	6821010	COVER - ELECTRONICS (CAFÉ IV)	1
2	6801030	COVER - ELECTRONICS (CAFÉ III)	1
3	6806010	POWER PANEL ASSEMBLY (FRESH BREW ONLY) (FIGURE 12)	1
4	6801054	LATCH - DOOR LOCK	1
5	6804050	PAPER CUTTER ASSEMBLY (FRESH BREW ONLY) (FIGURE 13)	1
6	6801053	SLIDE - CANISTER SHELF	1
7	6801031	COVER - LOWER	1



680p0033

Figure 7. Upper Cabinet Assembly - Part 5

TABLE 7. UPPER CABINET ASSEMBLY - PART 5

INDEX	PART NUMBER	DESCRIPTION	QTY
1	6808000	INLET VALVE ASSEMBLY - 115 V/60 HZ	1
2	6808022	BASIC WATER TANK ASSEMBLY - 2 VALVE (SHOWN WITH 4 VALVES) (FIGURE 14)	1
3	6801013	RETAINER - WATER TANK	2
4	6801032	SCREEN - EXHAUST FAN	1
5	6807014	BLOWER AND BRACKET ASSEMBLY - 115 V/60 HZ	1
6	6807011	BLOWER ASSEMBLY - 115 V/60 HZ	1
7	6801019	BRACKET - BLOWER MOUNTING	1
8	6807013	HOSE - EXHAUST	1
9	9989674	CIRCUIT BREAKER - 4 AMP	1
10	6801023	PLUG - DOME - BLACK (NO COIN OPTION - BLACK OR SILVER METALLIC CABINET)	1
	6801024	PLUG - DOME - WHITE (NO COIN OPTION - COOL GRAY CABINET)	

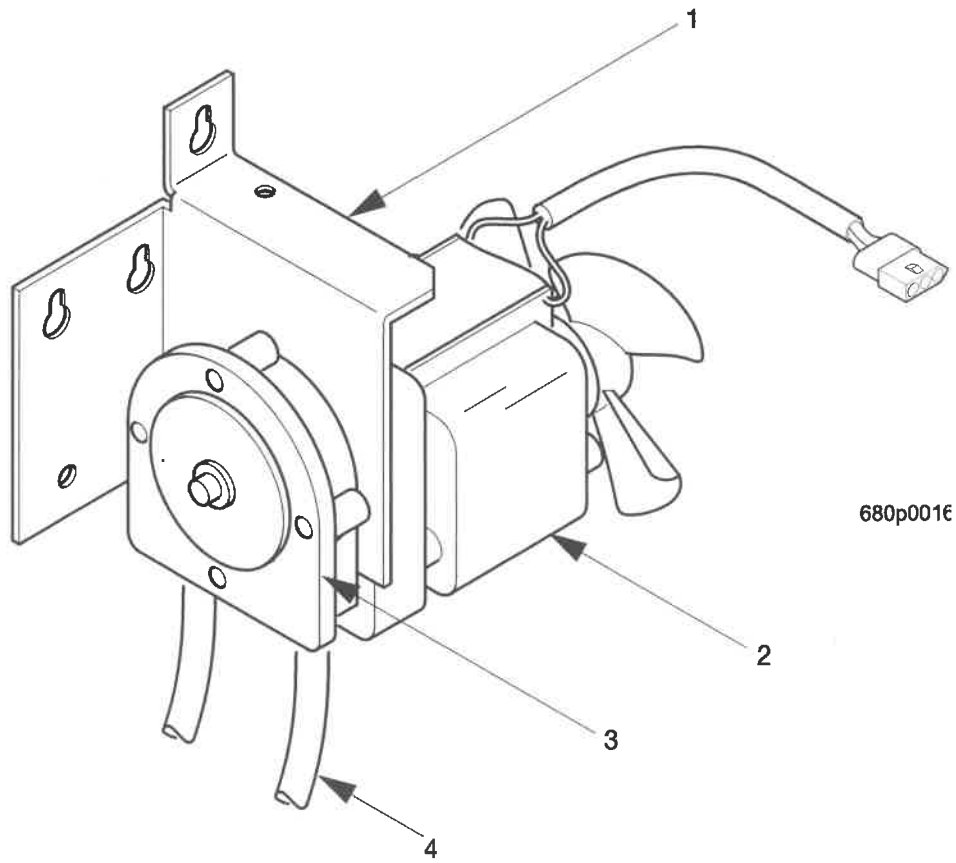
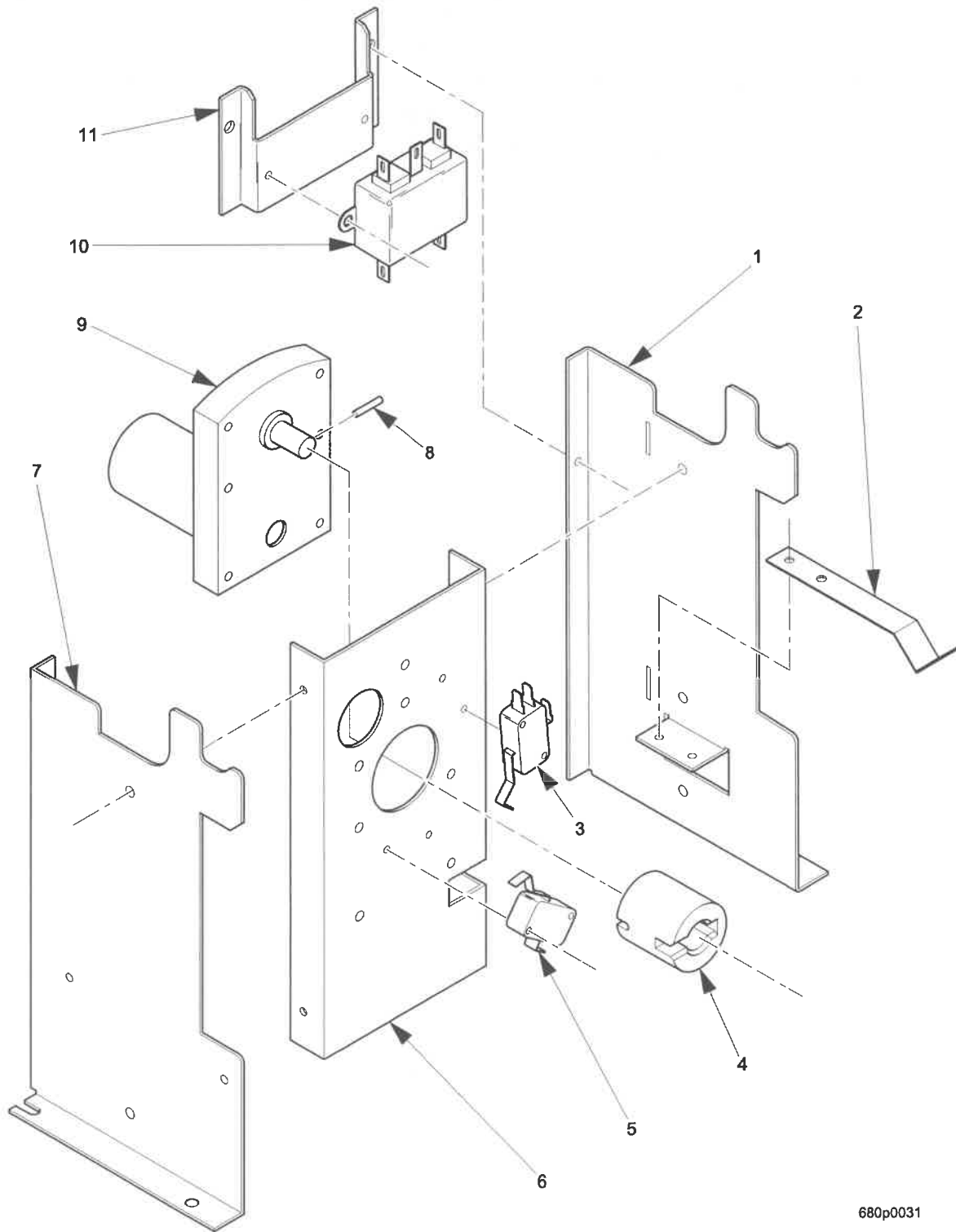


Figure 8. Brewer Pump Assembly

TABLE 8. BREWER PUMP ASSEMBLY

INDEX	PART NUMBER	DESCRIPTION	QTY
-	6804015	PUMP ASSEMBLY - BREWER - 115 V - CAFÉ III/IV	REF
1	6801020	BRACKET - PUMP MOUNTING	1
2	6404076	MOTOR - BREWER PUMP - 115 V	1
3	6404078	PERISTALTIC PUMP KIT - ANKO 82	1
4	6804055	TUBING - 6404059 - 35.5 INCHES	1

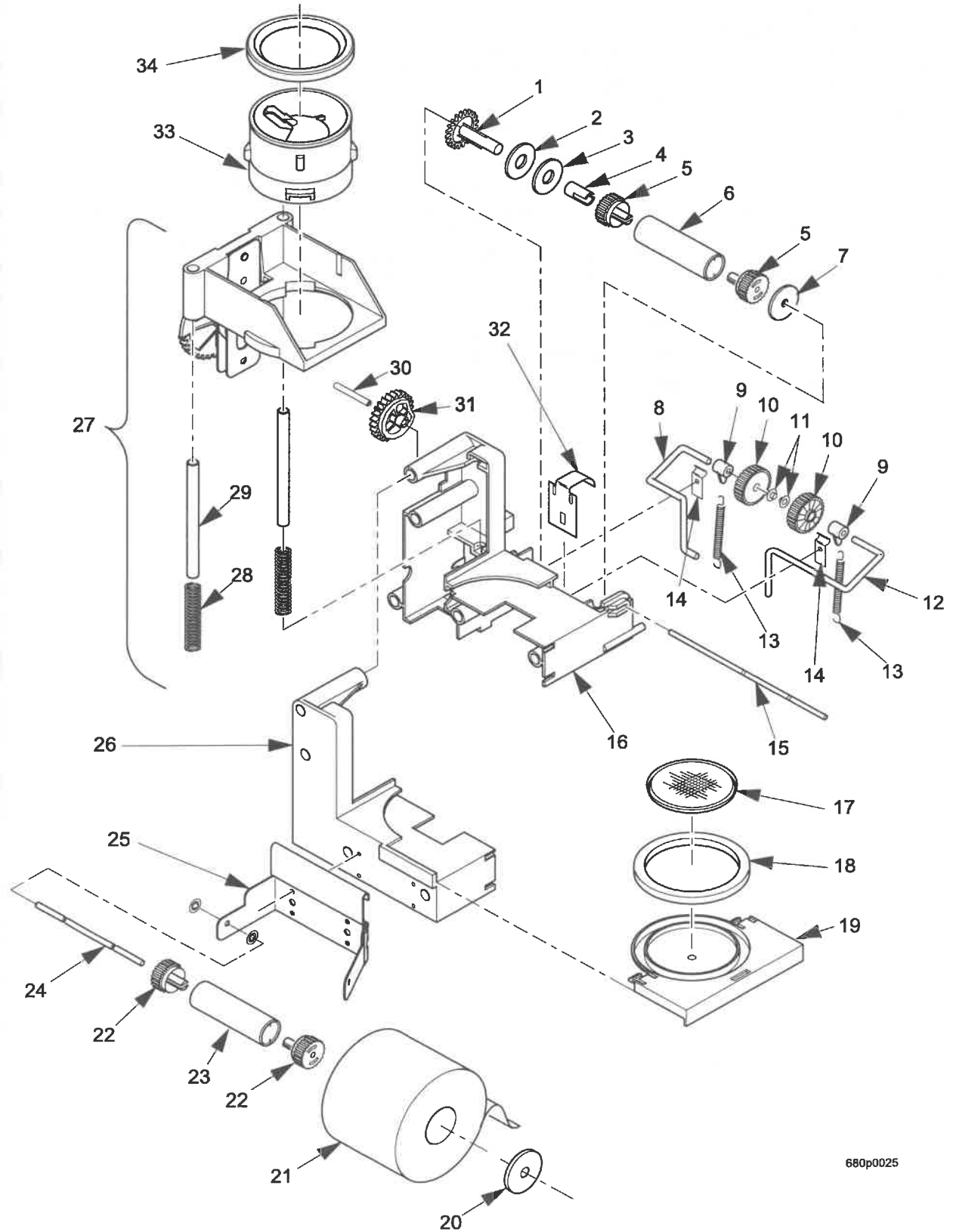


680p0031

Figure 9. Brewer Drive Assembly

TABLE 9. BREWER DRIVE ASSEMBLY

INDEX	PART NUMBER	DESCRIPTION	QTY
1	6804010	PLATE -RIGHT SIDE - BREWER MOUNTING	1
2	6801042	LOCKING SPRING	1
3	5220108	SWITCH (BREW HOME SWITCH)	1
4	6404011	CAM - CYCLE SWITCH - COUPLER	1
5	5220108	SWITCH (BREW CLAMP SWITCH)	1
6	6804009	PLATE - BREWER MOTOR MOUNTING	1
7	6804011	PLATE - LEFT SIDE - BREWER MOUNTING	1
8	4047061	ROLL PIN 1/8 X 1 1/8	1
9	6404010	BREWER MOTOR 32 RPM/24V	1
10	9989100	INTERFERENCE FILTER	1
11	6801043	MOUNTING - EMI FILTER	1

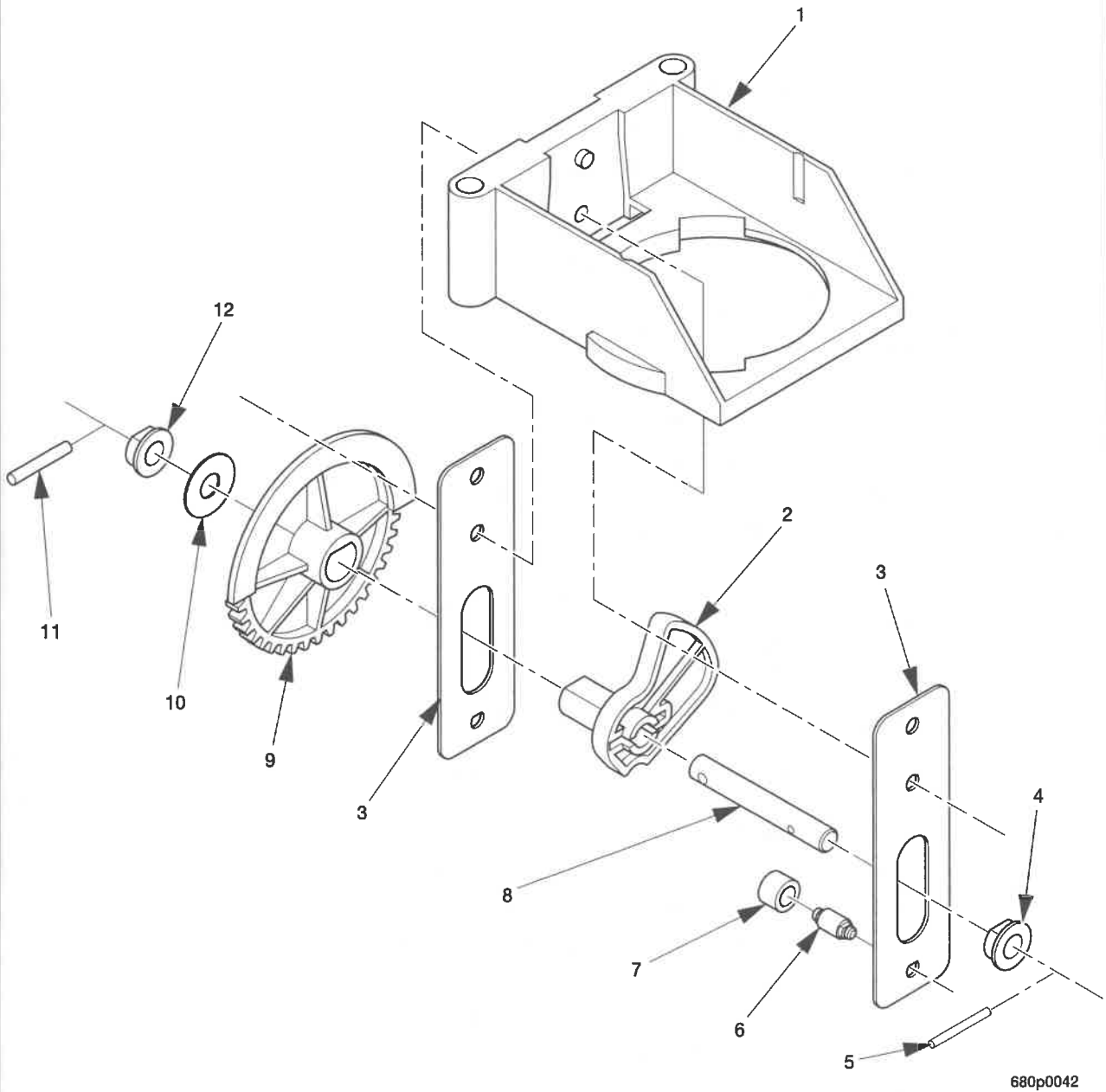


680p0025

Figure 10. Brewer Assembly

TABLE 10. BREWER ASSEMBLY

INDEX	PART NUMBER	DESCRIPTION	QTY
1	6404024	GEAR-DRIVE-PAPER	1
2	6404039	WASHER-1.25 O.D. X .54 I.D.	1
3	6404038	WASHER-1.25 I.D. X .406	1
4	6234603	ROLLER DRIVE-PAPER MECH	1
5	6234620	ROLLER END CAP-PAPER MECH	2
6	6404026	ROLLER-EXTRUSION PAPER	1
7	6404037	WASHER-1.25 O.D. X .203 I.D.	1
8	6404096	AXLE-IDLER ROLLER-RT	1
9	6404030	TOGGLE-SPRING	2
10	6404098	DRIVE/IDLER-PAPER DRIVE	2
11	6404027	RETAINER-GROOVELESS	2
12	6404095	AXLE-IDLER ROLLER-LT	1
13	6404067	SPRING-EXTENSION	2
14	6404114	RETAINER-IDELR AXIS	2
15	6404025	SHAFT-PAPER DRIVE	1
16	6804002	HOUSING-BREWER-RT SIDE	1
17	6404070	SCREEN-BREWER-60 X 60 MESH	1
18	6404090	SEAL-BREWER	1
19	6404008	HOUSING-SCREEN & SEAL	1
20	6404037	WASHER-1.25 O.D. X .203 I.D. (NOT PART OF BREWER ASSEMBLY)	2
21	6804005	PAPER-FILTER-OCS-CAFÉ III/IV (NOT PART OF BREWER ASSEMBLY)	-
22	6234620	ROLLER END CAP-PAPER MECH (NOT PART OF BREWER ASSEMBLY)	2
23	6404026	ROLLER-EXTRUSION PAPER (NOT PART OF BREWER ASSEMBLY)	1
24	6804008	SHAFT-PAPER DRIVE (NOT PART OF BREWER ASSEMBLY)	1
25	6804060	BRACKET ASSEMBLY-WELD-FILTER	1
26	6804001	HOUSING-BREWER-LT SIDE	1
27	6804019	CARRIER & CAM FOLLOWER ASSEMBLY (FIGURE 11)	1
28	6804006	SPRING-CARRIER (PART OF INDEX 27)	2
29	6804007	SHAFT-CARRIER BEARING (PART OF INDEX 27)	2
30	6404023	AXLE-INDEX GEAR	1
31	6404022	GEAR-PAPER INDEX PINION	1
32	6804053	GUIDE-PAPER	1
33	6804004	CYLINDER-BREWER	1
34	6404031	LID-CYLINDER	1

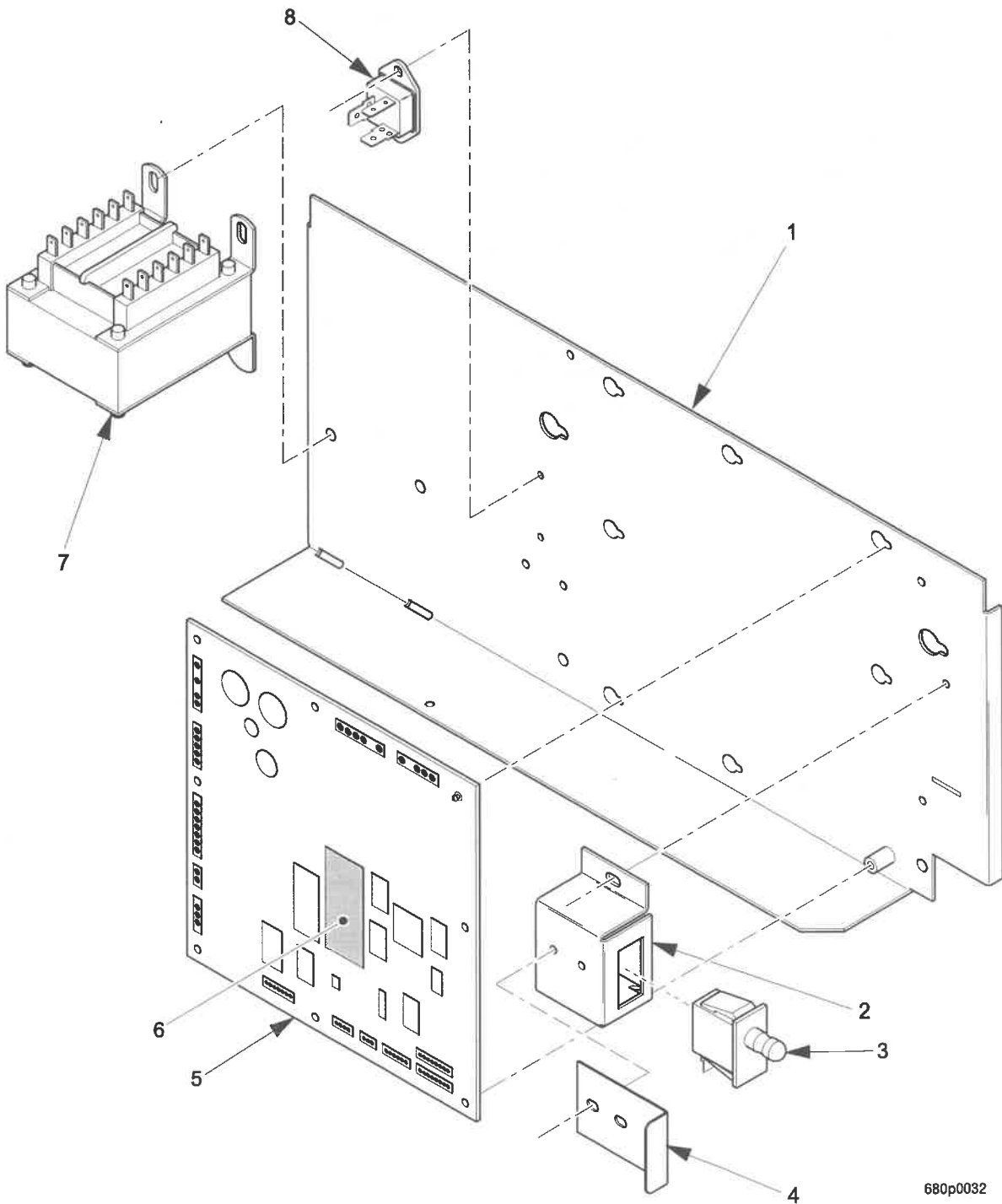


680p0042

Figure 11. Carrier and Cam Follower Assembly

TABLE 11. CARRIER AND CAM FOLLOWER ASSEMBLY

INDEX	PART NUMBER	DESCRIPTION	QTY
-	6804019	CARRIER & CAM FOLLOWER ASSEMBLY	REF
1	6804003	CARRIER-CYLINDER	1
2	6404014	CAM-CYLINDER CARRIER	1
3	6404019	PLATE-CAM FOLLOWER	2
4	4047012	SHOULDER BUSHING	1
5	4047061	ROLL PIN 1/8 X 1-1/8	1
6	6404073	SHAFT-CAM FOLLOWER	1
7	6404074	ROLLER-CAM FOLLOWER	1
8	6404013	SHAFT-CAM	1
9	6404015	GEAR-PAPER INDEX DRIVE	1
10	6134042	WASHER-1.00 O.D X .390 I.D. X 22 GA.-SS	1
11	6133157	ROLL PIN 3/16 X 1	1
12	4047012	SHOULDER BUSHING (PART OF NEXT HIGHER ASSEMBLY)	1

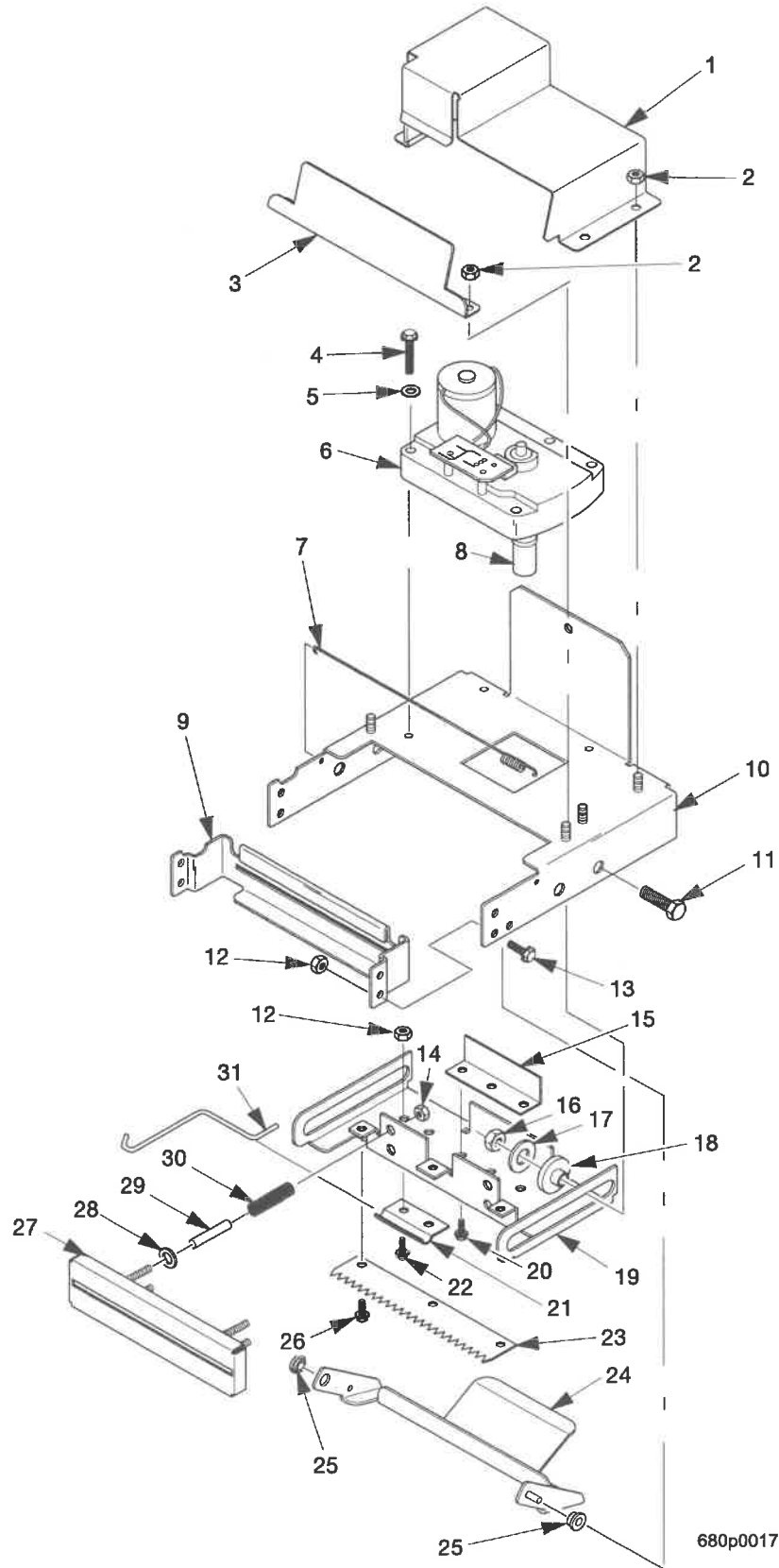


680p0032

Figure 12. Power Panel Assembly

TABLE 12. POWER PANEL ASSEMBLY

INDEX	PART NUMBER	DESCRIPTION	QTY
1	6801050	PANEL - PCB MOUNTING	1
2	6801056	MOUNTING - DOOR SWITCH/MAGNETIC LATCH	1
3	6801066	SWITCH - INTERLOCK (DOOR SWITCH)	1
4	6801055	LATCH - DOOR MAGNET	1
5	6806012	PCB ASSEMBLY - CONTROLLER	1
6	-	IC ASSEMBLY - EPROM (SEE LABEL ON EPROM FOR SOFTWARE VERSION AND PART NUMBER)	1
7	9989046	24 V TRANSFORMER - DUAL PRIMARY -.187 TERM	1
8	9983778	TRIAC - 35 A - 600 V	1



680p0017

Figure 13. Paper Cutter Assembly

TABLE 13. PAPER CUTTER ASSEMBLY

INDEX	PART NUMBER	DESCRIPTION	QTY
1	6804047	COVER-MOTOR	1
2	4402043	NUT #8-32 W/LW-SS	2
3	6804046	DEFLECTOR-CUTTER	1
4	1457027	SCREW #8-32 X.81 HEX HD - T/F	3
5	9900034	WASHER-STEEL-3/8 X.170 X.032	3
6	1577038	MOTOR & PC BOARD ASSEMBLY	1
7	6804023	SPRING-EXTENSION-PAPER CUTTER	1
8	6233058	CRANK ARM AND ROLLER ASSEMBLY	1
9	6804045	STOP ASSEMBLY-PADS	1
10	6804042	BRACKET-MOTOR-CUTTER	1
11	6233021	SCREW-1/4-20 X.5 - HEX HD	4
12	4402043	NUT #8-32 W/LW-SS	6
13	6234295	SCREW #8-32 X.38 - HHS W/WL	4
14	6104429	NUT #6-32 - KEPS - SS - EXT LW	4
15	6804029	BRACKET-CAM	1
16	4041241	NOT 1/4-20 - SELF LOCKING	4
17	6404034	WASHER -.687 O.D. X.265 I.D.	4
18	6233028	BUSHING	2
19	6804043	SLIDE-CUTTER	1
20	3102422	SCREW #8-32 X .38 - HHS W/WL	3
21	6804033	RETAINER-WIRE	1
22	6234295	SCREW #8-32 X .38 - HHS W/WL	2
23	6804036	BLADE-CUTTER	1
24	6804052	SWEEP-PAPER CUTTER	1
25	6804034	BUSHING-SWEEP	2
26	3102422	SCREW #8-32 X 3/16 - THS - SS	3
27	6804041	RETAINER & PADS ASSEMBLY - SLIDE	1
28	-	FOR FUTURE USE	2
29	6804022	BUSHING- .218/.188 X .938	4
30	6234614	COMPRESSION SPRING-PAPER MECH SHAFT	4
31	6804035	WIRE-CUTTER	1

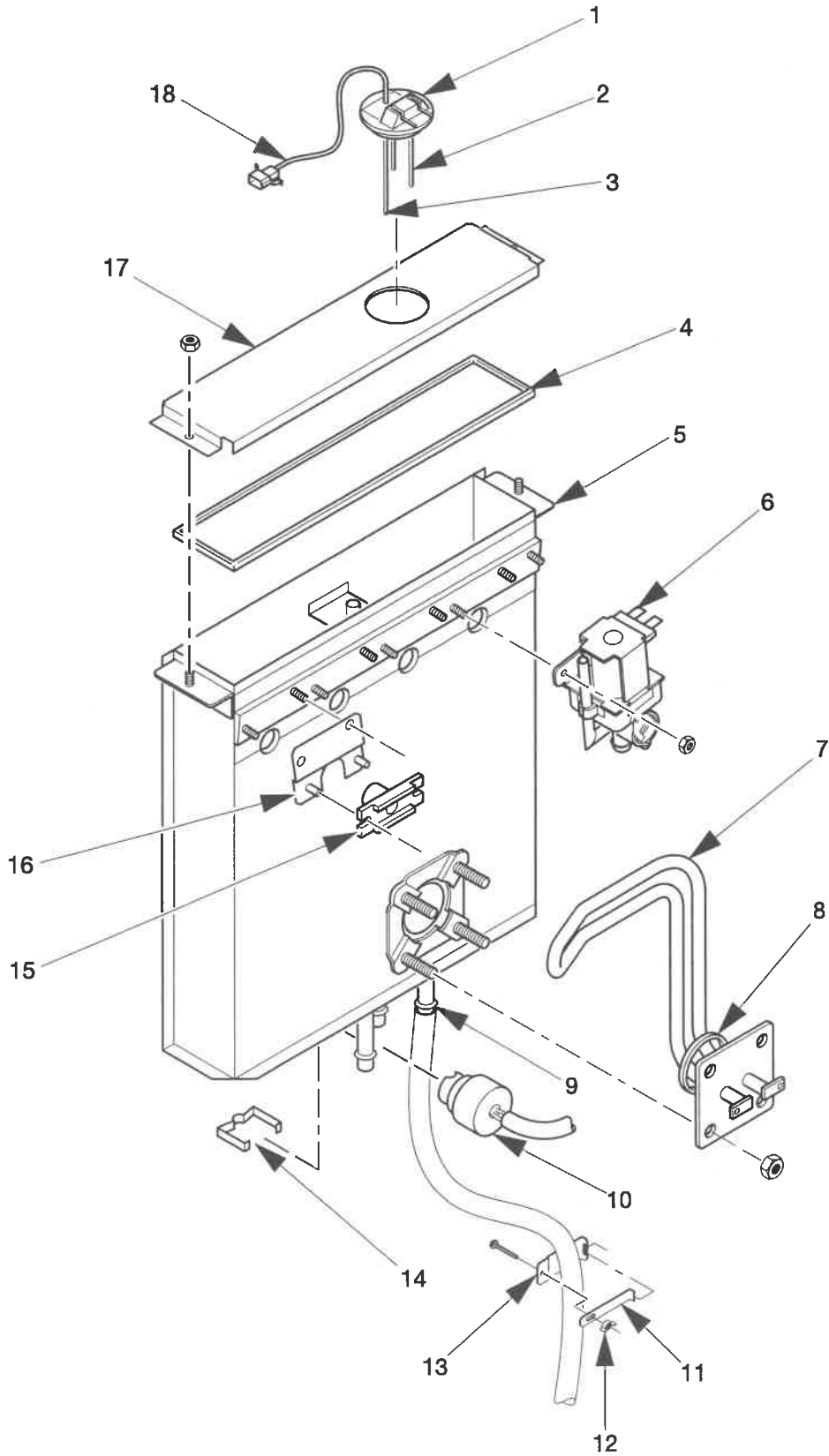
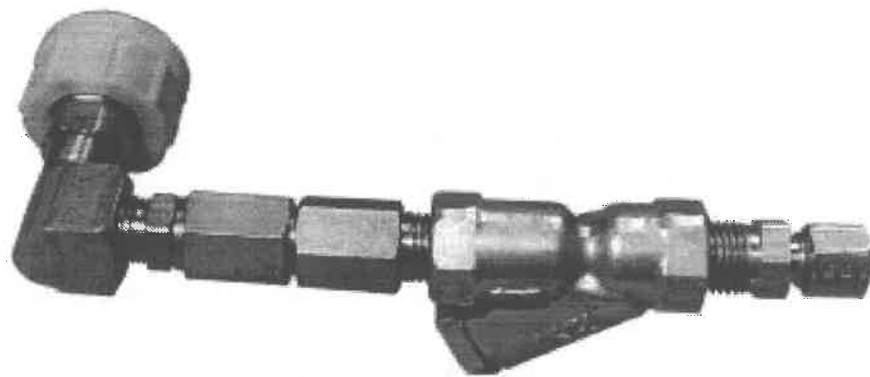


Figure 14. Water Tank Assembly Detail

680p0002

TABLE 14. WATER TANK ASSEMBLY DETAIL

INDEX	PART NUMBER	DESCRIPTION	QTY
-	6808022	BASIC WATER TANK ASSEMBLY - 2 VALVE	REF
1	6808003	MOUNTING - LEVEL & TEMP - HWT	1
2	6808006	PROBE - LEVEL - LOW - HWT	1
3	6808005	PROBE - LEVEL - HIGH - HWT	1
4	6808002	GASKET - WATER TANK	1
5	6808019	WELD ASSEMBLY - HOT WATER TANK	1
6	6238112X	VALVE ASSEMBLY - HWT - 115 V TANK INCLUDES (1) FOR HOT WATER TANK INCLUDES (1) FOR FRESH BREW OR FIRST FREEZE DRY SELECTION ADD (1) FOR SECOND FREEZE DRY SELECTION ADD (1) FOR CHOCOLATE SELECTION	-
7	6808001	HEATER - 1250 WATT - 120 V	1
8	6238042	GASKET - HEATER	1
9	6158063	CLAMP - HOSE	1
10	6849014	THERMOSTAT ASSEMBLY - AUTO RESET	1
11	6408129	PLATE - CLAMP - TOP	1
12	3103133	WING NUT #8-32 STAINLESS	1
13	6408127	PLATE ASSEMBLY - CLAMP	1
14	6808023	CLAMP - THERMOSTAT - 3/8 O.D.	1
15	6238045	PLUG ASSEMBLY - HOT WATER VALVE USED TO PLUG VALVE POSITION WHEN WATER VALVE IS NOT PRESENT	-
16	6808025	RETAINER ASSEMBLY - PLUG - HOT WATER TANK (USED WITH ITEM # 15)	-
17	6808016	LID - HOT WATER TANK	1
18	6808004	SENSOR - TEMPERATURE - HWT	1
-	6808107	INSULATION - HOT WATER TANK (NOT SHOWN)	1



6800009

Figure 15. Check Valve Assembly

TABLE 15. CHECK VALVE ASSEMBLY

PART NUMBER	DESCRIPTION	QTY
3128303	STREET ELBOW	1
6808020	CHECK VALVE	1
6808024	STRAINER	1
6408119	MALE CONNECTOR	1

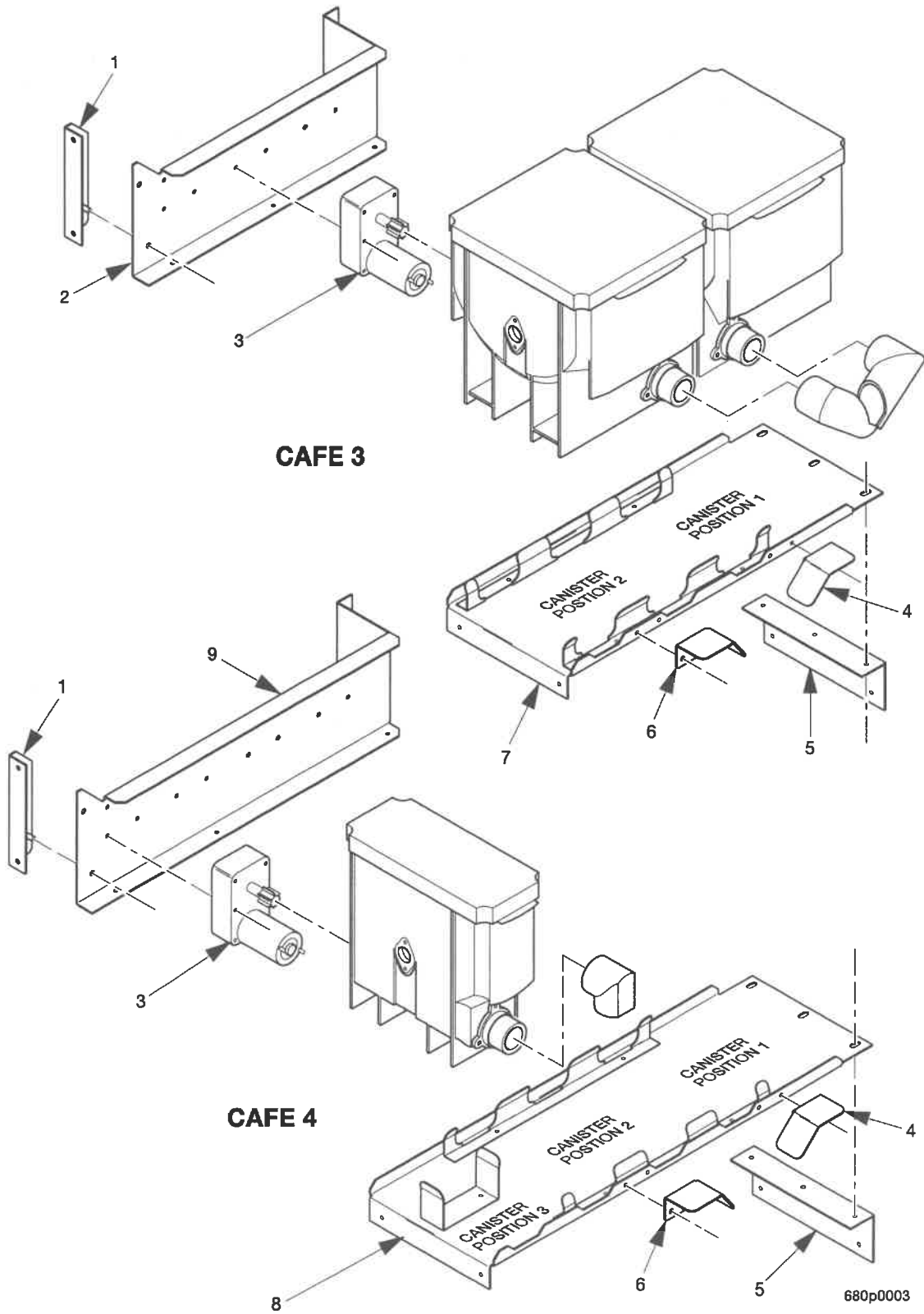
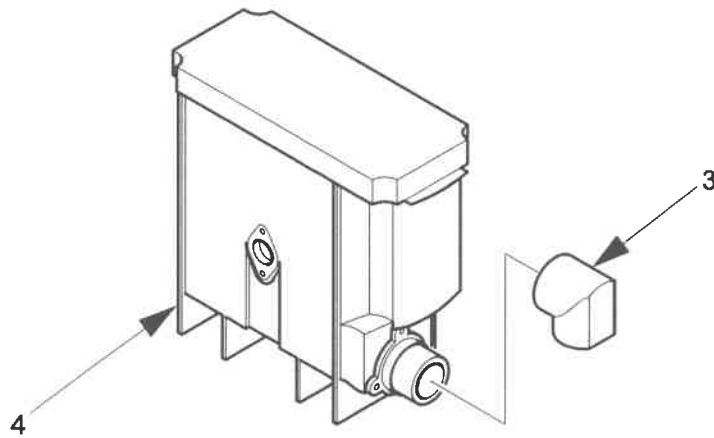
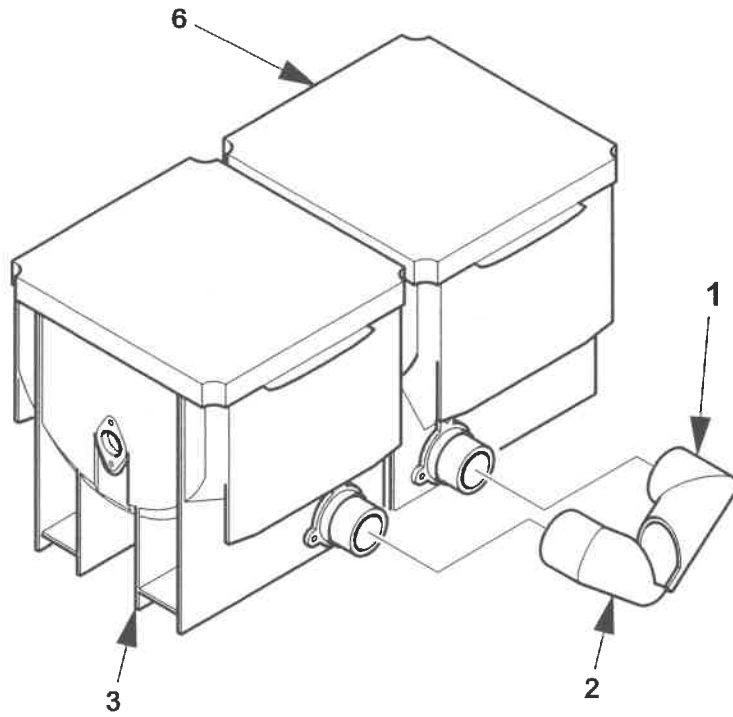


Figure 16. Product Shelf Assemblies

TABLE 16. PRODUCT SHELF ASSEMBLIES

INDEX	PART NUMBER	DESCRIPTION	QTY
1	6801067	BRACKET - MOUNTING - MOTOR SHELF (CAFÉ III)	1
2	6801068	SHELF - MOTOR MOUNTING (CAFÉ III)	1
3	6807025	MOTOR - CANISTER - 24V/80 RPM (CAFÉ III)	2
		MOTOR - CANISTER - 24V/80 RPM (CAFÉ IV)	3
4	6801070	STOP - CANISTER SPOUT - RIGHT (TABLE 18)	-
5	6801014	SUPPORT - CANISTER SHELF - RT	1
6	6801069	STOP - CANISTER SPOUT - LEFT (TABLE 18)	-
7	6801044	WELD ASSEMBLY - GUIDE - CANISTER SHELF (CAFÉ III)	1
8	6821083	WELD ASSEMBLY - GUIDE - CANISTER SHELF (CAFÉ IV)	1
9	6821086	SHELF - MOTOR MOUNTING (CAFÉ IV)	1



680p006.

Figure 17. Canisters and Chutes

TABLE 17. CANISTERS AND CHUTES

INDEX	PART NUMBER	DESCRIPTION	QTY
1	6807029	CHUTE - CANISTER - RH	*
2	6807030	CHUTE - CANISTER - LH	
3	6807031	CHUTE - CANISTER - CENTER	
4	-	CANISTER - SMALL - CENTER	
5	6807027	CANISTER - LARGE - LH	
6	6807026	CANISTER - LARGE - RH	

* QUANTITIES VARY. (TABLE 18)

TABLE 18. CANISTER, CHUTE, AND CANISTER SPOUT STOP USAGE

SERIES	MODEL	PRODUCT CONFIGURATION	CANISTER POSITION	CANSITER	CHUTE	SPOUT STOP
CAFÉ III	680	FB-FB	1	6807026	6807029	6801070
			2	6807027	6807030	6801069
		FB-CHOC	1	6807026	6807029	6801070
			2	6807026	6807031	N/A
	681	FD-CHOC	1	6807026	6807031	N/A
			2	6807026	6807031	N/A
CAFÉ IV	682	FB-FB-CHOC	1	6807026	6807029	6801070
			2	6807027	6807030	6801069
			3	6807028	6807031	N/A
		FB-FD-CHOC	1	6807026	6807029	6801070
			2	6807026	6807031	N/A
			3	6807028	6807031	N/A
	683	FD-FD-CHOC	1	6807026	6807031	N/A
			2	6807026	6807031	N/A
			3	6807028	6807031	N/A

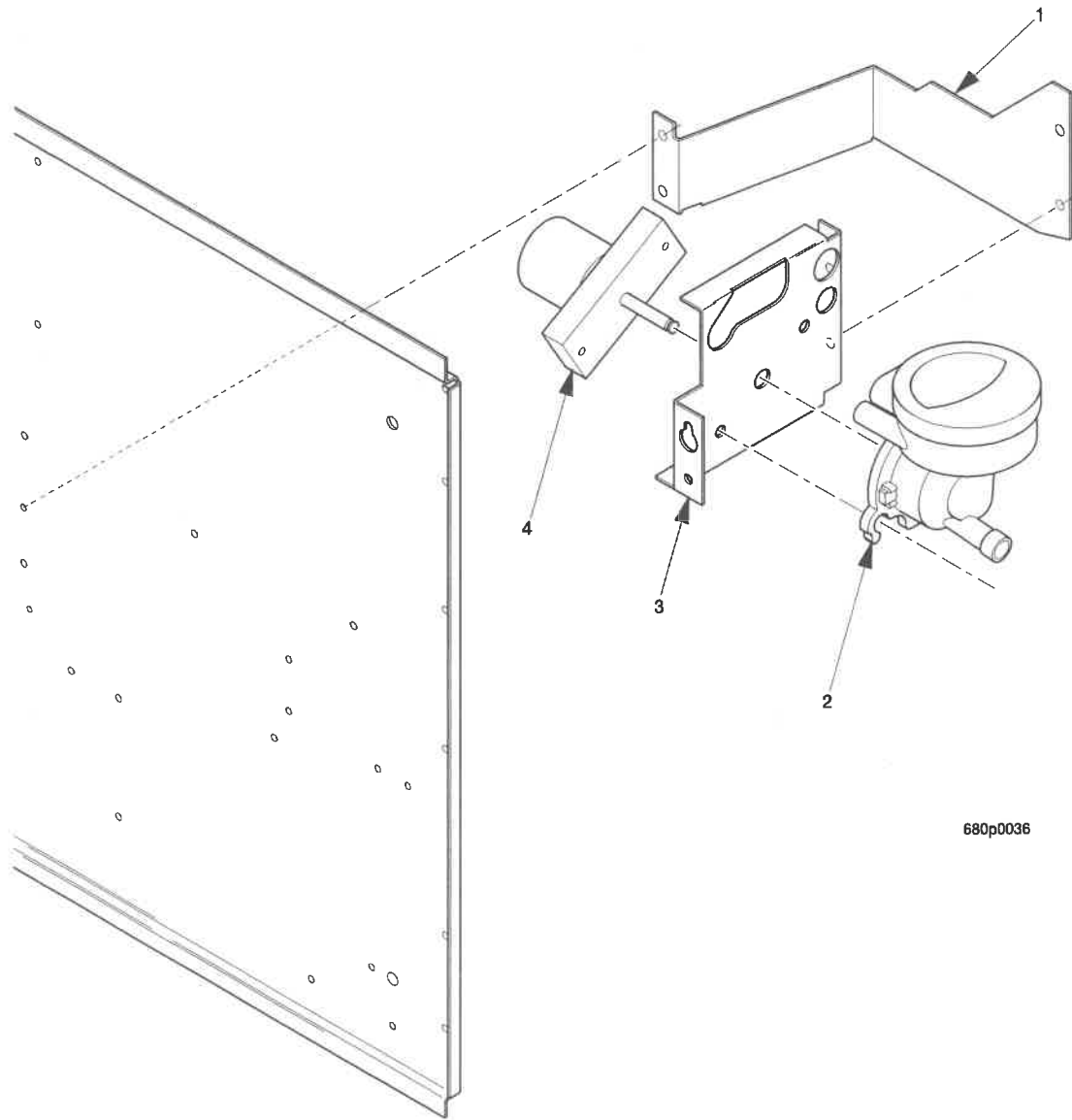
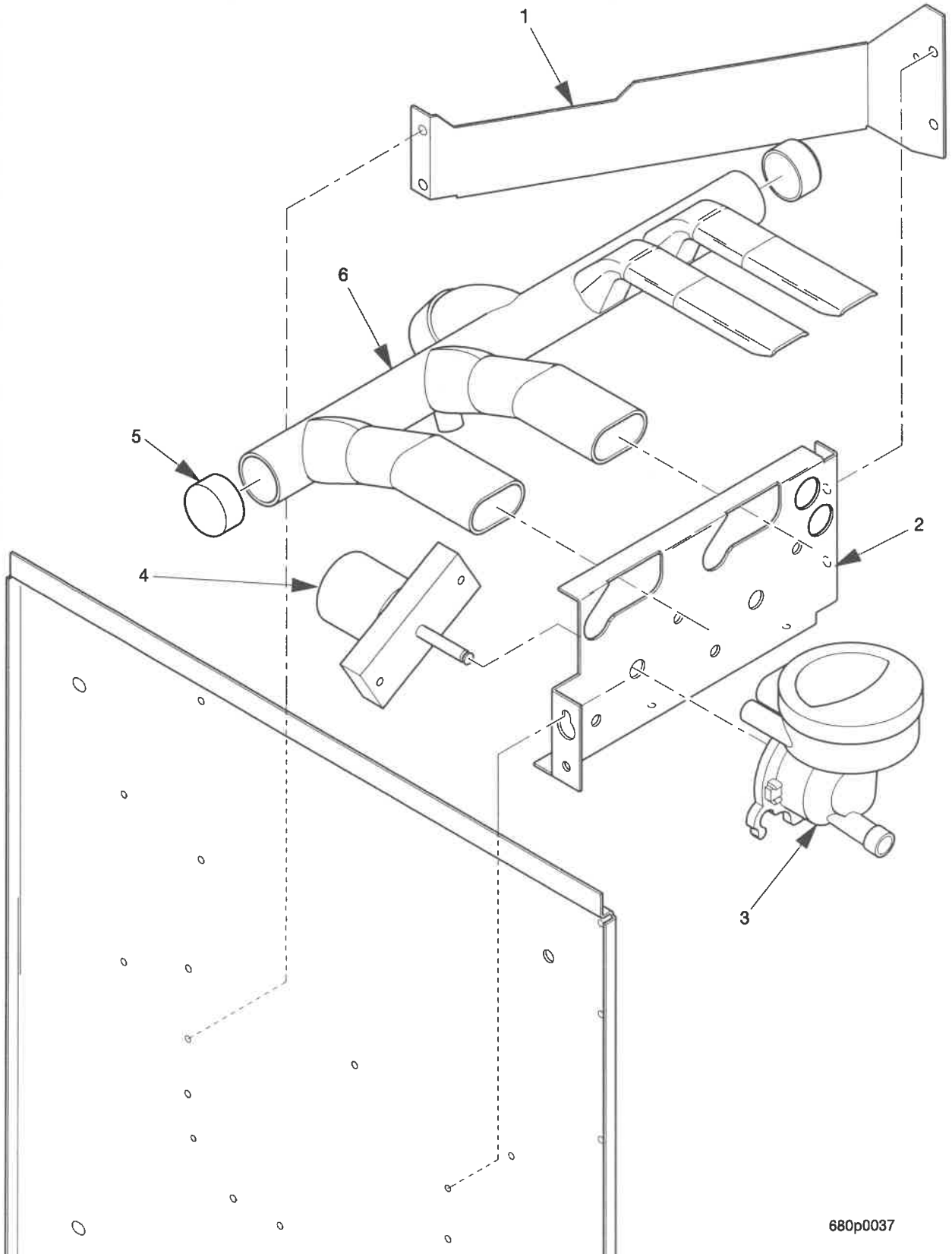


Figure 19. Mixing Bowl, Vent & Whipper Assemblies - Fresh Brew - Café III

TABLE 19. MIXING BOWL, VENT & WHIPPER ASSEMBLIES - FRESH BREW - CAFÉ III

INDEX	PART NUMBER	DESCRIPTION	QTY
1	6801018	SUPPORT-SINGLE WHIP/MIX	1
2	-	MIXING BOWL WITH WHIPPER * USE WITH THE CHOCOLATE SELECTION # USE WITH EACH F.D. SELECTION (FIGURE 23)	* #
3	6801017	MOUNTING-SINGLE WHIP/MIX	1
4	6807009	MOTOR-WHIPPER-CAFÉ 2/3 * USE WITH THE CHOCOLATE SELECTION # USE WITH EACH F.D. SELECTION	* #
5	6237347	VINYL CAP-1.00 X .50 (USE WITH 6807016) FB/CHOC	2
		VINYL CAP-1.00 X .50 (USE WITH 6807015) FB/FB	3
6	6807016	VENT-SINGLE FB-CAFÉ 3 (FB/CHOC CAFÉ III) (FIGURE 22) FOR OTHER CONFIGURATIONS	1

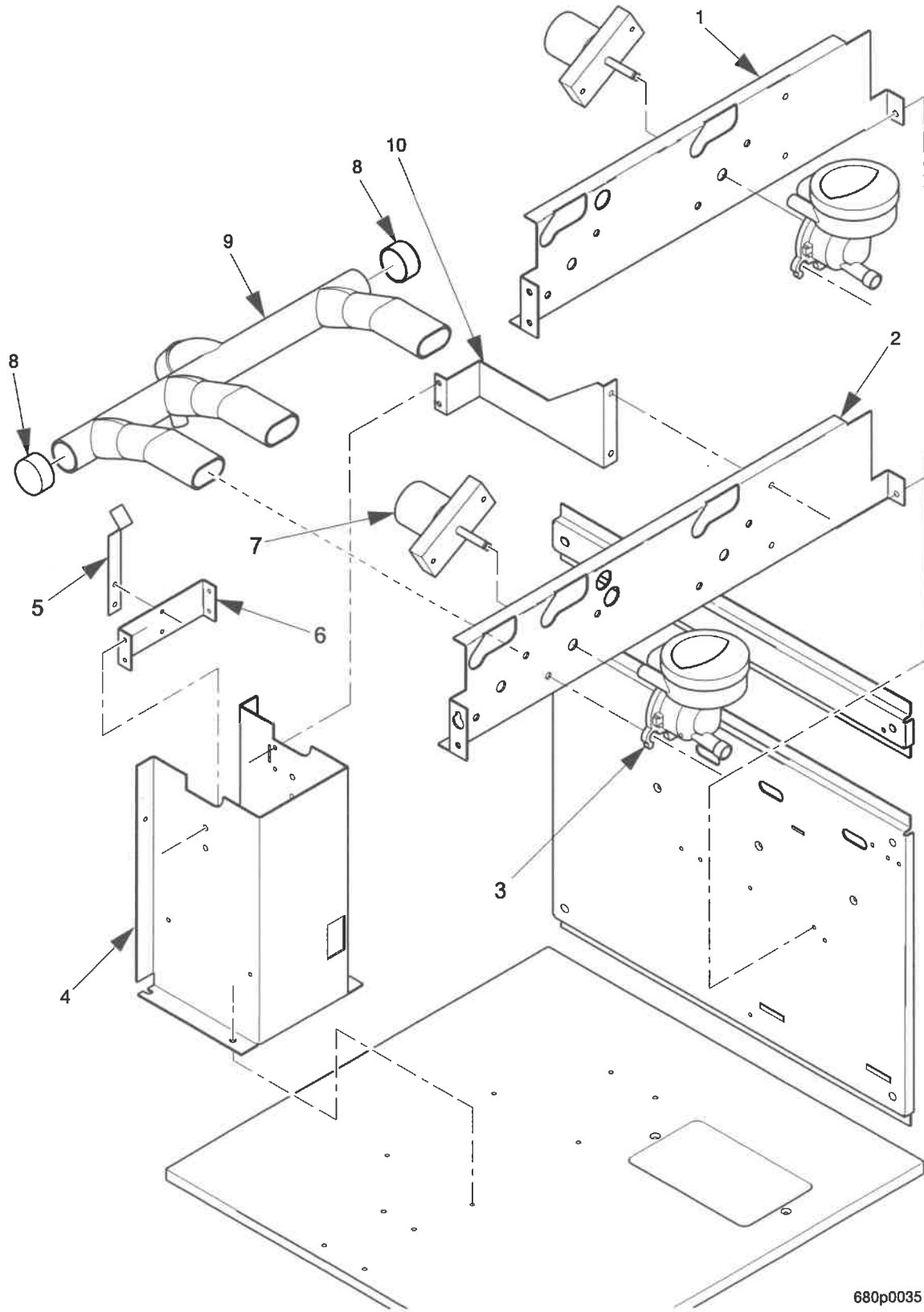


680p0037

Figure 20. Mixing Bowl, Vent & Whipper Assemblies - Fresh Brew Café IV

TABLE 20. MIXING BOWL, VENT & WHIPPER ASSEMBLIES - FRESH BREW CAFÉ IV

INDEX	PART NUMBER	DESCRIPTION	QTY
1	6821008	SUPPORT-WHIPPER/MIX BOWL-CAFÉ 4	1
2	6821007	MOUNTING-DUAL WHIP/MIX BOWL-CAFÉ 4	1
3	-	MIXING BOWL WITH WHIPPER * USE ONE WITH THE CHOCOLATE SELECTION # USE ONE WITH EACH F.D. SELECTION	* #
3	-	MIXING BOWL WITH WHIPPER (FIGURE 23)	-
4	6807009	MOTOR-WHIPPER-CAFE2/3 * USE ONE WITH THE CHOCOLATE SELECTION # USE ONE WITH EACH F.D. SELECTION (FIGURE 23)	* #
5	6237347	VINYL CAP-1.00 X .50 (USE WITH 682700 - FB/FD/CHOC)	2
		VINYL CAP-1.00 X .50 (USE WITH 6827001 - FB/FB/CHOC)	3
6	6827000	VENT-DUAL FB-CAFÉ 3 (CAFÉ IV - FB/FD/CHOC) (FIGURE 22) FOR OTHER CONFIGURATIONS	1

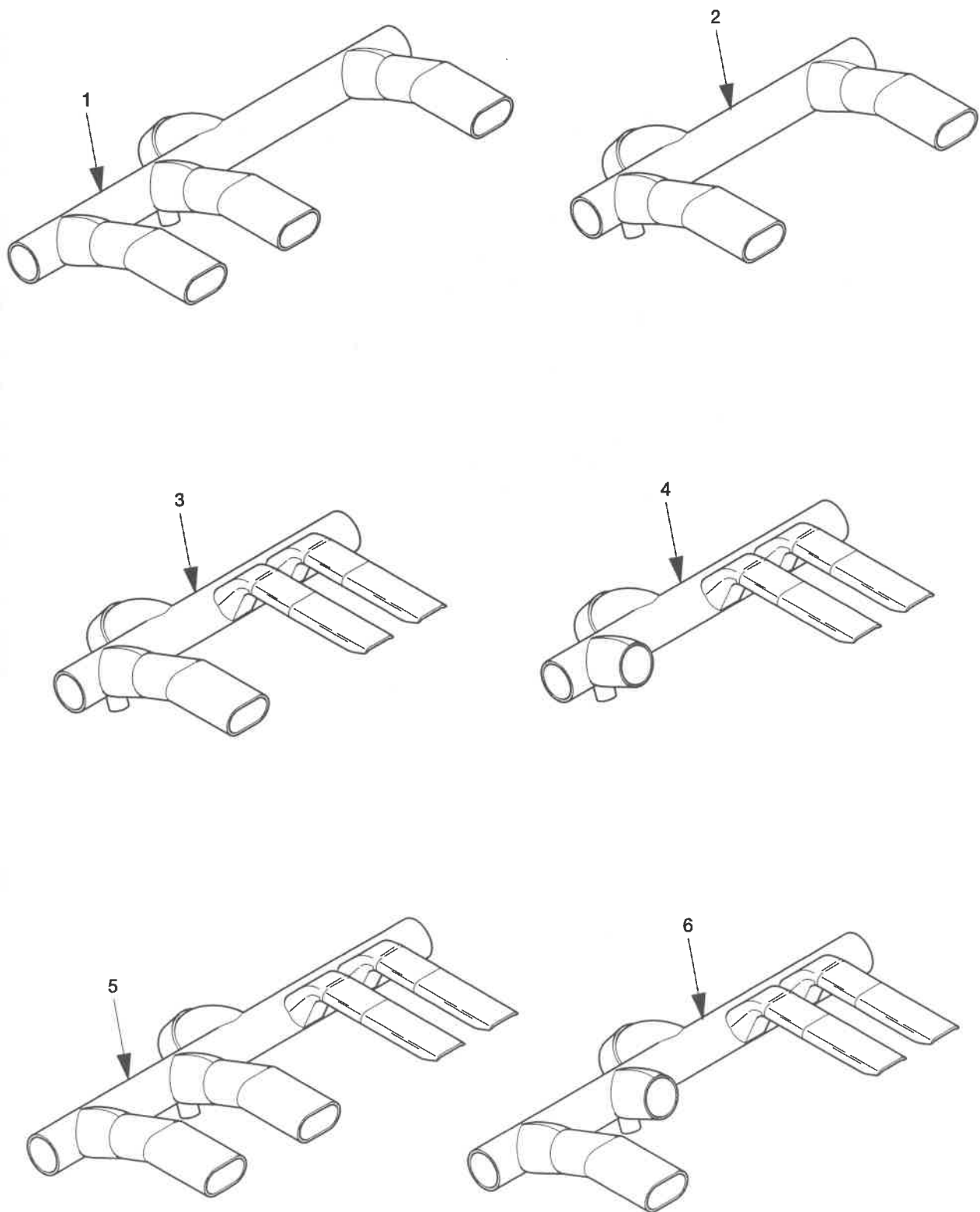


680p0035

Figure 21. Mixing Bowl, Vent & Whipper Assemblies - Freeze Dry Café III and IV

TABLE 21. MIXING BOWL, VENT & WHIPPER ASSEMBLIES - FREEZE DRY CAFÉ III AND IV

INDEX	PART NUMBER	DESCRIPTION	QTY
1	6811000	MOUNTING-WHIPPER/MIX BOWL-FD (CAFÉ III)	1
2	6831000	MOUNTING-WHIPPER/MIX BOWL-FD (CAFÉ IV)	1
3	-	MIXING BOWL WITH WHIPPER * USE ONE WITH THE CHOCOLATE SELECTION # USE ONE WITH EACH F.D. SELECTION (FIGURE 23)	* #
4	6811002	SUPPORT-EXHAUST MANIFOLD	1
5	6237215	LOCKING SPRING-GRINDER	1
6	6811003	MOUNTING-SPRING CLIP-MANIFOLD	1
7	6807009	MOTOR-WHIPPER-CAFÉ 2/3 * USE ONE WITH THE CHOCOLATE SELECTION # USE ONE WITH EACH F.D. SELECTION	* #
8	6237347	VINYL CAP - 1.00 X .50	2
9	6837000	VENT-FD-CAFÉ 3 (SHOWN - FD/FD/CHOC-CAFÉ IV) (FIGURE 22) FOR OTHER SELECTION CONFIGURATIONS	1
10	6811001	SUPPORT-WHIP/MIXING BOWL-FD	1



680p0066

Figure 22. Vents for Alternate Configurations

TABLE 22. VENTS FOR ALTERNATE CONFIGURATIONS

INDEX	PART NUMBER	DESCRIPTION	QTY
1	6837000	VENT-FD-CAFÉ 3 (CAFÉ IV - FD/FD/CHOC)	1
2	6817000	VENT-FD-CAFÉ 3 (CAFÉ III - FD/FD)	
3	6807016	VENT-SINGLE FB-CAFÉ 3 (CAFÉ III - FB/CHOC)	
4	6807015	VENT-DUAL FB-CAFÉ 3 (CAFÉ III - FB/FB)	
5	6827000	VENT-DUAL FB-CAFÉ 3 (CAFÉ IV - FB/FD/CHOC)	
6	6827001	VENT-DUAL FB-W/CHOC-CAFÉ 4 (CAFÉ IV - FB/FB/CHOC)	

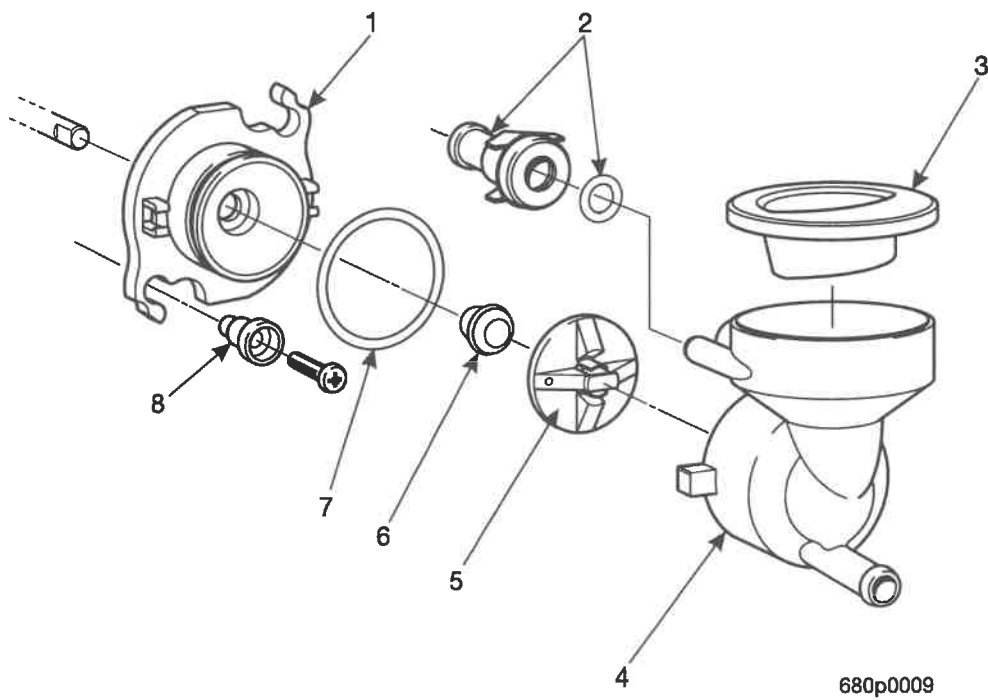


Figure 23. Mixing Bowl With Whipper

TABLE 23. MIXING BOWL WITH WHIPPER

INDEX	PART NUMBER	DESCRIPTION	QTY
1	6807002	BASE - MIXING BOWL/WHIPPER	1
2	6807010	BULKHEAD ADAPTER WITH "O" RING	1
3	6807000	CAP - MIXING BOWL/WHIPPER - STEAM	1
4	6807001	BODY - MIXING BOWL/WHIPPER	1
5	6807003	IMPELLER - WHIPPER	1
6	6807004	SEAL - WHIPPER BASE (SERVICE PART)	1
7	6807005	SEAL - "O" RING - WHIPPER BASE (SERVICE PART)	1
8	6807006	SCREW - CAP	2

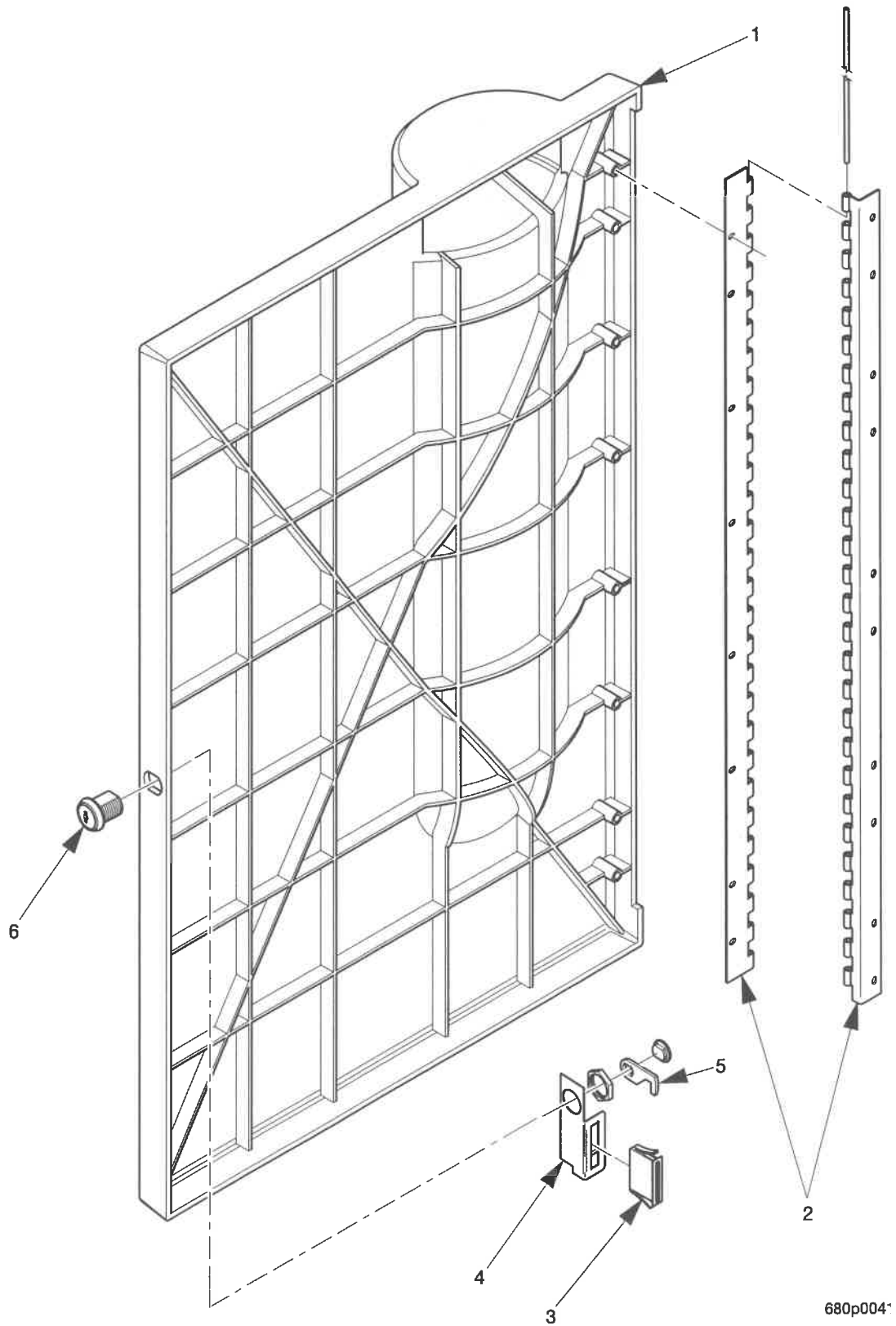
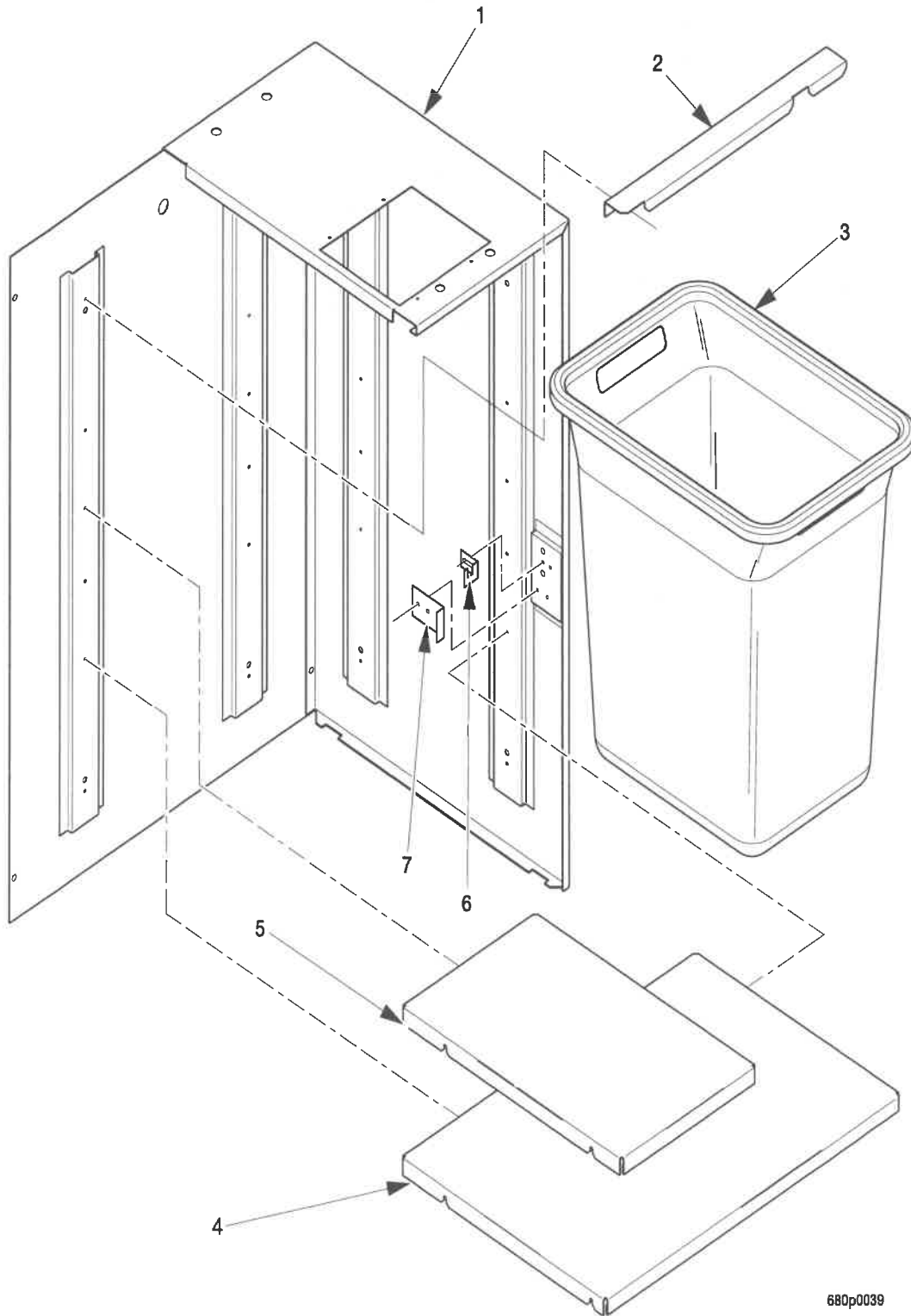


Figure 24. Base Door Assembly

TABLE 24. BASE DOOR ASSEMBLY

INDEX	PART NUMBER	DESCRIPTION	QTY
1	6822055	DOOR - BASE CABINET - COOL GRAY	1
	6822056	DOOR - BASE CABINET - BLACK	
	6822057	DOOR - BASE CABINET - SILVER METALLIC	
2	6822052	HINGE - DOOR - BASE - COOL GRAY	1
	6822053	HINGE - DOOR - BASE - BLACK	
	6822054	HINGE - DOOR - BASE - SILVER METALLIC	
3	6801051	MAGNETIC CATCH - SNAP IN	1
4	6822011	PLATE - MAGNET MOUNTING	1
5	6401053	CAM - LOCK - CHICAGO #6 - 3652	1
6	6801052	LOCK - DOOR - #1801 - KEY CODE NV 407	1
-	2221920	KEY - CHICAGO LOCK #1801 NV 407 (NOT SHOWN)	1

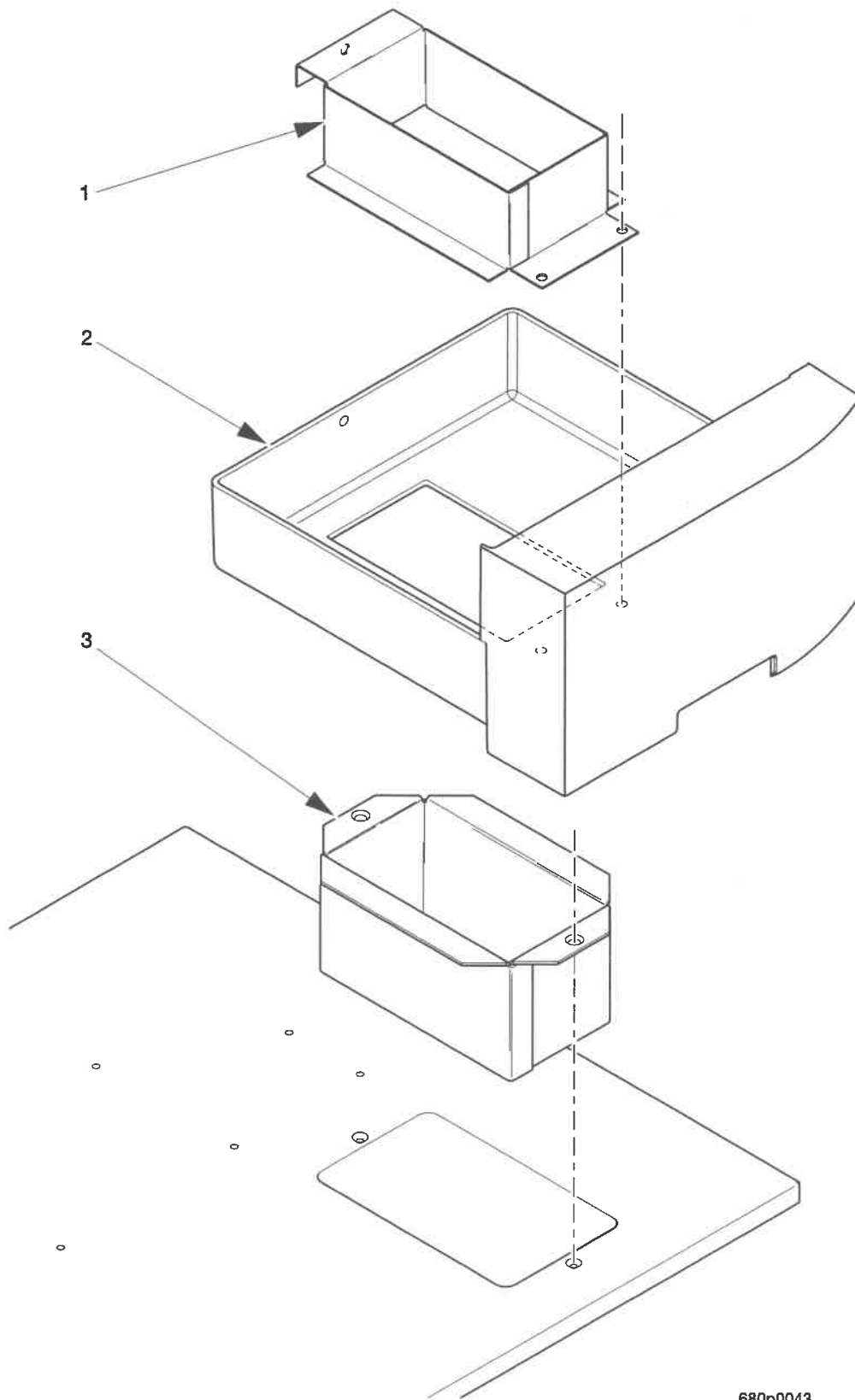


680p0039

Figure 25. Base Cabinet Assembly

TABLE 25. BASE CABINET ASSEMBLY

INDEX	PART NUMBER	DESCRIPTION	QTY
1	6821072	BASE CABINET - COOL GRAY	1
	6821073	BASE CABINET - BLACK	
	6821074	BASE CABINET - SILVER METALLIC	
2	6821079	SPACER - BUCKET - GROUNDS	1
3	3631172	BUCKET - GROUNDS	1
4	6821071	SHELF - BASE CABINET	1
5	6821078	SHELF - BASE CABINET - HALF	1
6	6801054	LATCH - DOOR LOCK	1
7	6801055	LATCH - DOOR MAGNET	1

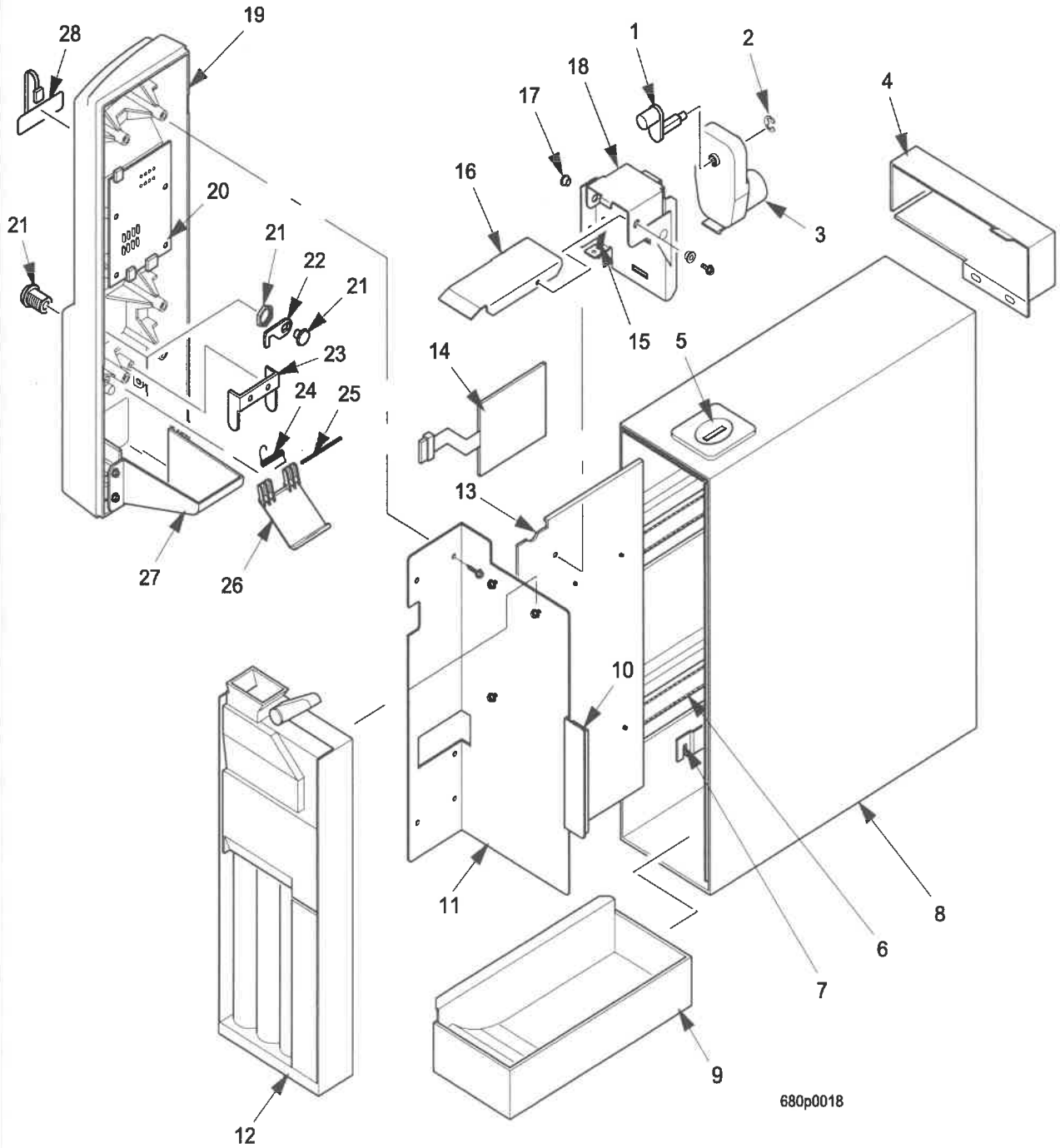


680p0043

Figure 26. Upper Cabinet Interface Components

TABLE 26. UPPER CABINET INTERFACE COMPONENTS

INDEX	PART NUMBER	DESCRIPTION	QTY
1	6802033	ENCLOSURE ASSEMBLY - GROUNDS TRAY	1
2	6802036	GROUNDS TRAY - CUTOUT - COOL GRAY - CAFÉ III	1
	6802037	GROUNDS TRAY - CUTOUT - BLACK - CAFÉ III	
	6802038	GROUNDS TRAY - CUTOUT - SILVER METALLIC CAFÉ III	
	6822015	GROUNDS TRAY - CUTOUT - COOL GRAY - CAFÉ IV	
	6822016	GROUNDS TRAY - CUTOUT - BLACK - CAFÉ IV	
	6822017	GROUNDS TRAY - CUTOUT - SILVER METALLIC CAFÉ IV	
3	6801080	ENCLOSURE ASSEMBLY - GROUNDS OPENING	1



680p0018

Figure 27. Coin Module

TABLE 27. COIN MODULE

INDEX	PART NUMBER	DESCRIPTION	QTY
1	6233058	CRANK ARM AND ROLLER ASSEMBLY	1
2	9900418	RETAINING RING - REINF TYPE E	1
3	4977312	MOTOR AND PC BOARD ASSEMBLY	1
4	6805043	COVER-HARNES	1
5	6805005	INSERT-COIN	1
6	6801053	SLIDE-CANISTER SHELF	2
7	6805030	BRACKET-COIN MODULE-CATCH/LOCK	1
8	6805031	COIN MODULE CABINET ASSEMBLY-COOL GRAY	1
	6805032	COIN MODULE CABINET ASSEMBLY-BLACK	
	6805033	COIN MODULE CABINET ASSEMBLY-SILVER METALIC	
9	6805026	WELD ASSEMBLY-COIN BOX W/RAMP	1
10	3122056	MAGNET-RETAINER-COIN CHANGER	1
11	6805047	WELD ASSEMBLY-BRACKET/HINGE ASSEMBLY-COIN MECH	1
12	5900243	COIN UNIT-TRC6512-MDB-CONSIGNMENT	1
	5900213	COIN UNIT-COINCO-9302-GX-MDB	
	5900209	COIN UNIT-CONLUX-USLZ-001-MDB	
	5900244	COIN UNIT-COINCO-USD-G701-MDB	
13	6805020	WELD ASSEMBLY-HINGE PLATE ASSEMBLY-COIN MOD	1
14	6805001	MONETARY KEYPAD ASSEMBLY	1
15	6404067	SPRING-EXTENSION	1
16	6805025	ARM-SCAVENGER	1
17	6401024	BEARING-ACCESS COVER	2
18	6805045	WELD ASSEMBLY-BRACKET-MOTOR	1
19	6805034	DOOR-COIN MODULE-COOL GRAY	1
	6805035	DOOR-COIN MODULE-BLACK	
	6805036	DOOR-COIN MODULE-SILVER METALIC	
20	6806007	PCB ASSEMBLY-PRICE DISPLAY-CAFÉ 2/3	1
21	6801052	LOCK-DOOR #1801 - KEY CODE NV4	1
-	2221920	KEY - CHICAGO LOCK #1801 - NV407 (NOT SHOWN)	1
22	6401053	CAM-LOCK-CHICAGO #6-365Z	1
23	6805004	BRACKET-COIN CUP GATE	1
24	4245083	SPRING-COIN RETURN DOOR	1
25	4245084	SHAFT-DOOR-COIN RETURN	1
26	4245082	GATE-COIN RETURN	1
27	6805003	CUP-COIN RETURN	1
28	6805007	MEMBRANE SWITCH-COIN RETURN/LENS	1

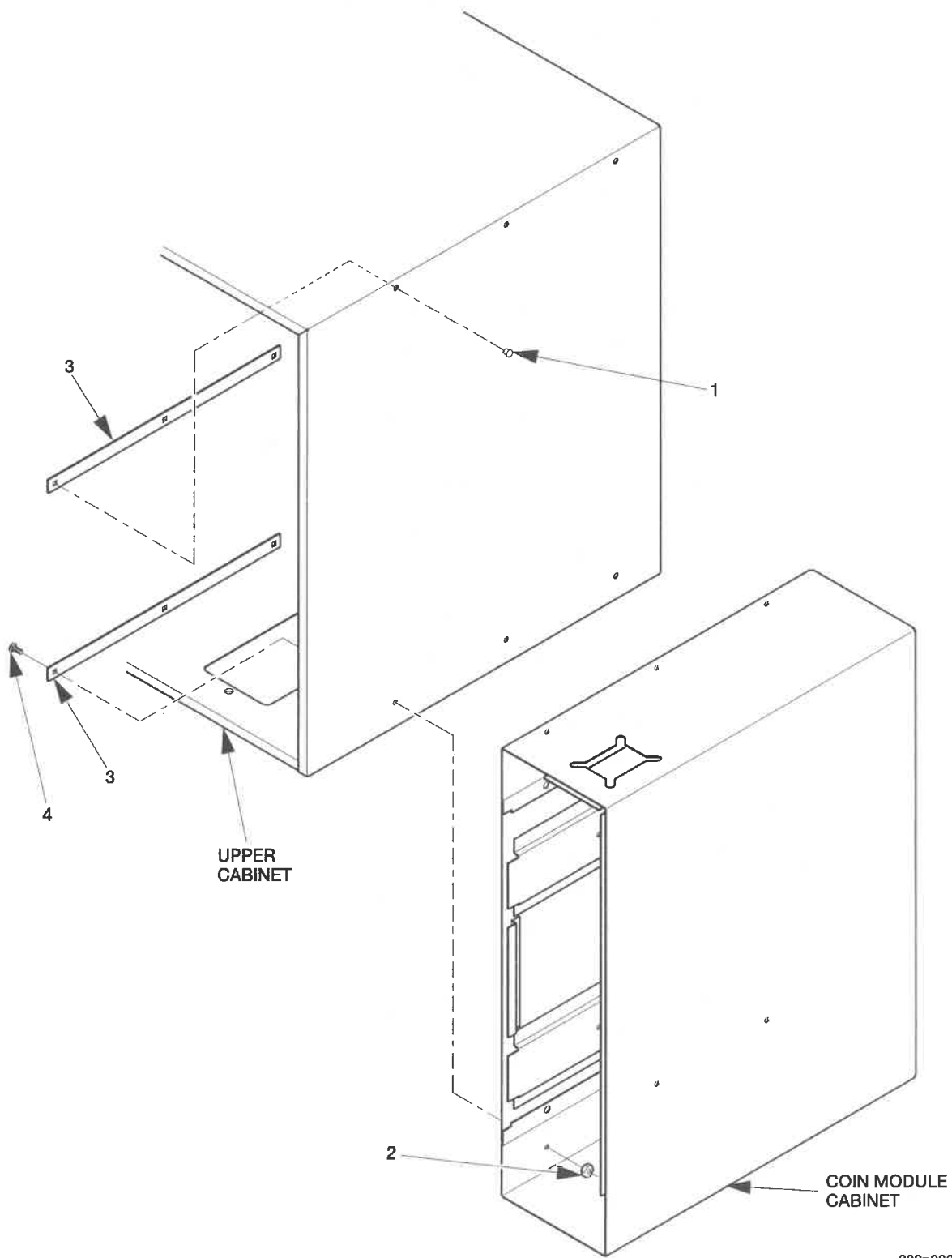


Figure 28. Upper Cabinet and Coin Module Cabinet Interconnection

TABLE 28. UPPER CABINET AND COIN MODULE CABINET INTERCONNECTION

INDEX	PART NUMBER	DESCRIPTION	QTY
1	6801023	PLUG - DOME - BLACK (NO COIN OPTION - BLACK OR SILVER METALLIC CABINET)	6
	6801024	PLUG - DOME - WHITE (NO COIN OPTION - COOL GRAY CABINET)	
2	9900081	NUT - #8-32 KEPS ZINC PLATE (WITH COIN OPTION)	6
3	6805002	PLATE - MOUNTING - COIN MOD - CABINET (WITH COIN OPTION)	2
4	1306140	#8-32 X 3/8 CARRIAGE BOLT - BLACK (WITH COIN OPTION)	6

TABLE 29. LOGO AND LABEL ASSEMBLY

PART NUMBER	DESCRIPTION	QTY
6802006	LABEL - CAFÉ III LOGO	OPT
6822003	LABEL - CAFÉ IV LOGO	OPT

TABLE 30. BAG ASSEMBLY - USA

PARTNUMBER	DESCRIPTION	QTY
1300018	BAG - PLASTIC	1
6800001	DOCUMENTATION PACKAGE	1
6802007	LABEL - MENU INSERT - ENGL.	1
6800006	W.D.PACKAGE - 115V DOMESTIC	1
6841073	GASKET - FOAM	1
6840017	LABEL - PRICE & CUP SZ	1
6408139	NUT & FERRULE ASSEMBLY - BRASS #4 BT12	1
6408140	TUBE - 9082699 - 1/4 OD - 2.00"	1
6408141	FITTING - PI - 211208 - S(RLC380140)	1
6408142	LOCKING CLIP - PI - C1808 - R(LC140)	1
6408143	LOCKING CLIP - PI - C1812R (LC380)	1

TABLE 31. BAG ASSEMBLY - CANADA/FRENCH

PARTNUMBER	DESCRIPTION	QTY
1300018	BAG - PLASTIC	1
6800001	DOCUMENTATION - PACKAGE	1
6800006	W.D. PACKAGE - 115V DOMESTIC	1
6802008	LABEL - MENUINSERT - CAN. FR.	1
6841073	GASKET - FOAM	1
6840017	LABEL - PRICE & CUP SZ - CAFÉ	1
6408139	NUT & FERRULE ASSEMBLY - BRASS #4 BT	1
6408140	TUBE - 9082699 - 1/4 OD - 2.00"	1
6408141	FITTING - PI-211208 - S(RLC380140)	1
6408142	LOCKING CLIP - PI - C1808 - R(LC140)	1
6408143	LOCKING CLIP - PI - C1812 - R(LC380)	1

TABLE 32. UPPER CABINET ASSEMBLY - PART 8 - WIRE HARNESES

PART NUMBER	DESCRIPTION	QTY
9989781	POWER CORD - 14AWG - DOM	
6809002	HARNESS - TRANSFORMER	
6809003	HARNESS - CABINET	
6809004	HARNESS - DRAIN AND CABINET SWITCH	
6809005	HARNESS - CONTROLLER TO DOOR	
6809000	HARNESS - VEND VALVES	
6809001	HARNESS - TEMP AND LEVEL PROBES	
6809007	HARNESS - 2 PRODUCT AND 1 WHIPPER	
6809011	HARNESS - BREWER ASSEMBLY	
6809010	HARNESS - BREW MOTOR FILTER	
6809008	HARNESS - PAPER CUTTER ASSEMBLY	
6829000	HARNESS - #1 WHIPPER	
6829007	HARNESS - 3 PRODUCT AND 2 WHIPPERS	

TABLE 33. UPPER CABINET ASSEMBLY - PART 9 - TUBING

PART NUMBER	DESCRIPTION	QTY
3618105	TUBING - UK SILICONE - .375 X .562	
6138094	CONNECTOR - "Y" TYPE (FRESH BREW ONLY)	1
	LOCATED BETWEEN BREWER PUMP OUTPUT AND DISPENSING SPOUT FOR BREWED SELECTIONS	